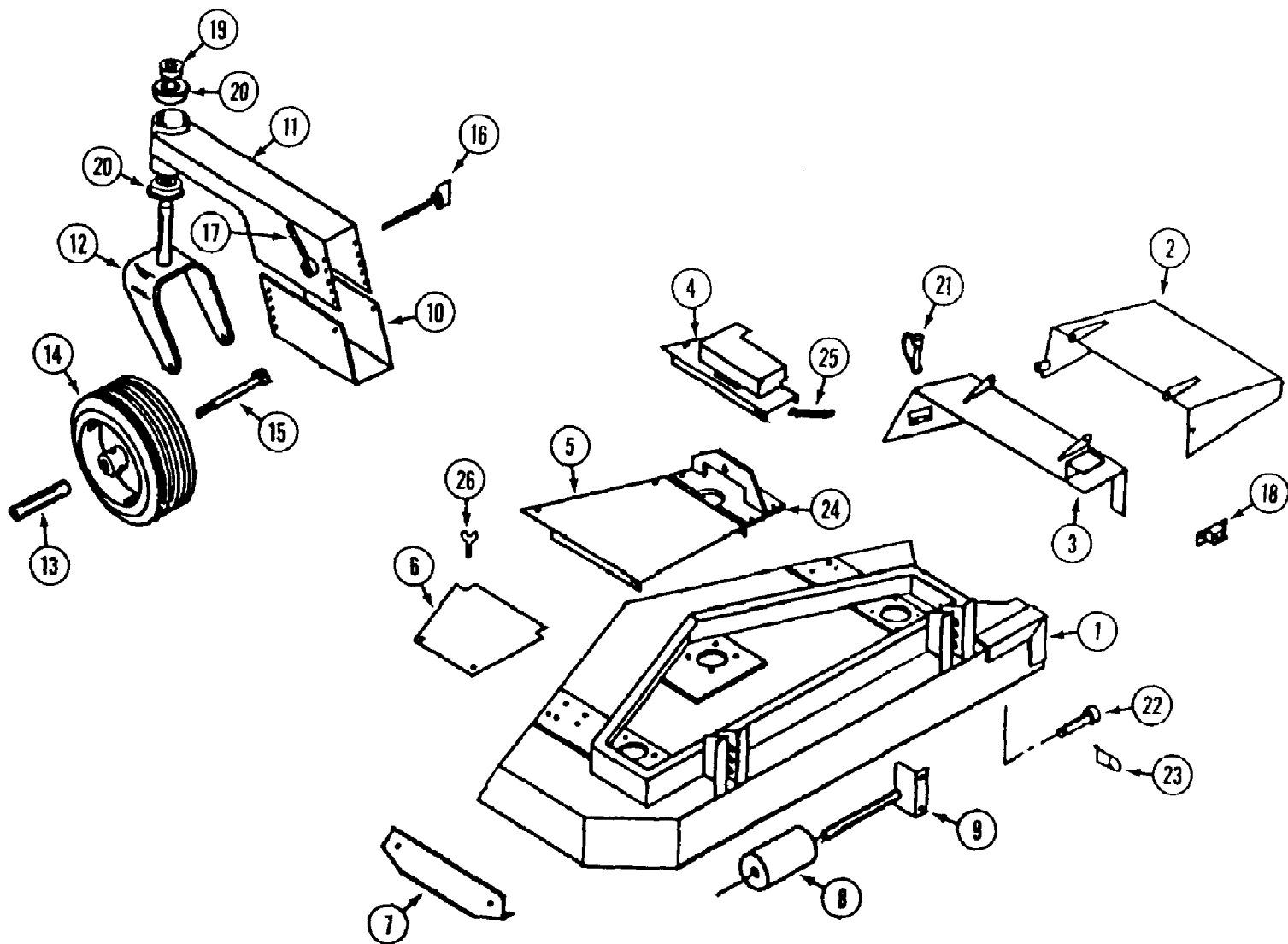


133-026-190 FR-2000C (1993)

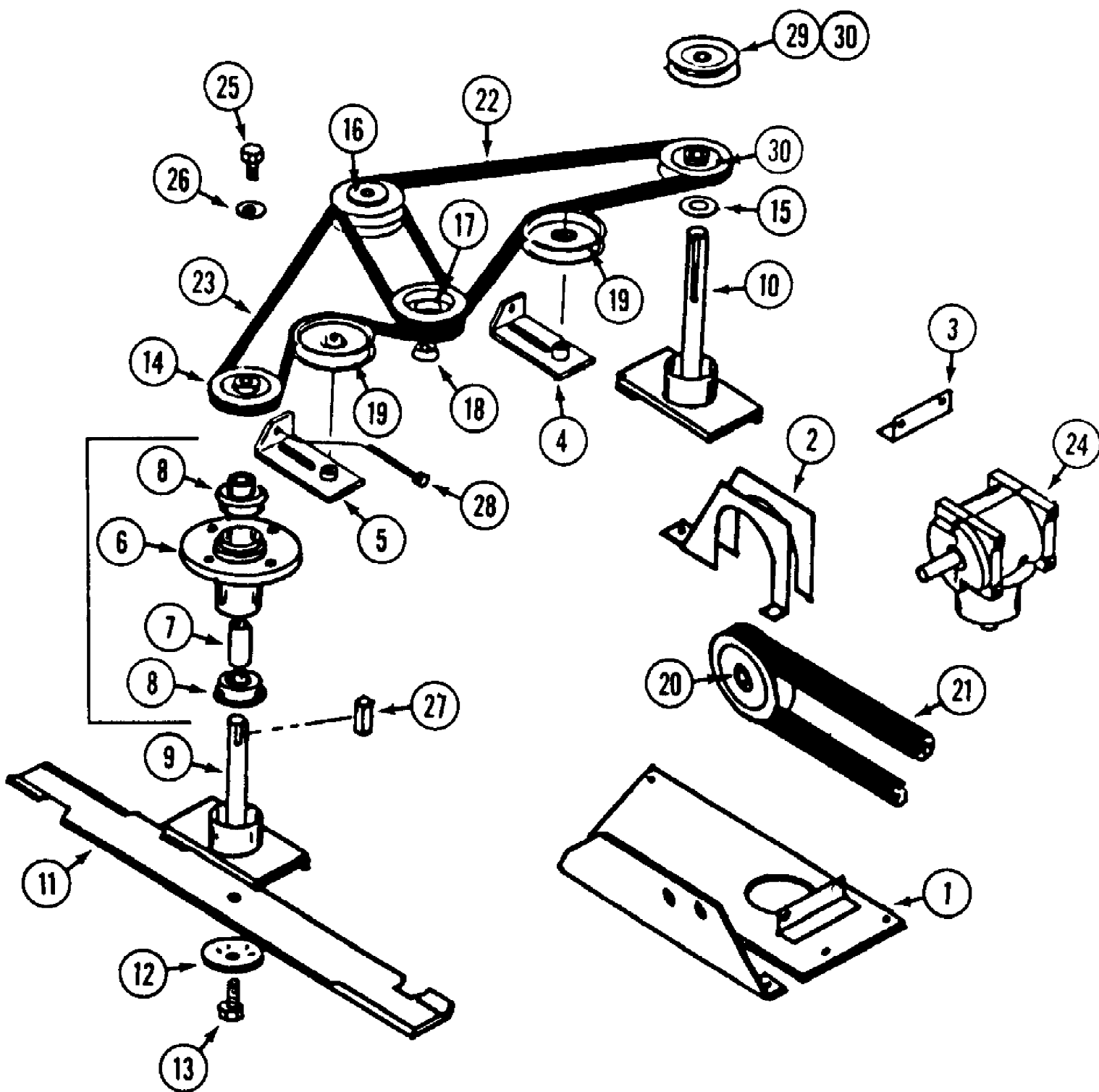
Page 1 of 53

42" Mower Deck & Attaching Parts For W872 & W875 Mower Deck



42" Mower Deck & Attaching Parts For W872 & W875 Mower Deck

| Ref # | Part Number | Qty | S/P/F | Description |
|-------|-------------|-----|-------|--|
| 1 | WD-310-0000 | 1 | | DECK - 42" |
| 2 | WD-320-0015 | 1 | | CHUTE - foot guard |
| 3 | WD-320-0016 | 1 | | MOUNT - foot guard |
| 4 | WD-310-0002 | 1 | | COVER - pulley |
| 5 | WD-310-0003 | 1 | | COVER - center |
| 6 | WD-300-0001 | 1 | | COVER - L.H. |
| 7 | WD-310-0007 | 1 | S | SHOE - skid L.H. |
| 8 | WD-900-5559 | 1 | | ROLLER - anti-scalp |
| 9 | WD-300-0038 | 1 | | SHAFT - roller |
| 10 | WD-300-0044 | 2 | S | BRACKET - gauge wheel mount |
| 11 | WD-300-0043 | 2 | | MOUNT - gauge wheel |
| 12 | WD-330-0007 | 2 | | FORK (2000C) |
| 12 | WD-320-0018 | 2 | | FORK (1800, 1800C) |
| 13 | WD-200-0017 | 2 | S | AXLE wheel (2000C) |
| 13 | WD-320-0008 | 2 | | AXLE wheel (1800, 1800C) |
| 14 | WD-900-7008 | 2 | S | WHEEL - gauge (2000C) |
| 14 | WD-900-4020 | 2 | | WHEEL - gauge (1800, 1800C) |
| | WD-900-3510 | 2 | S | BEARING - wheel (1800, 1800C) |
| | WD-900-4006 | 1 | | TIRE - 11 x 4.00 - 5 (2000C) |
| | WD-900-4005 | 1 | | RIM - 5" (2000C) |
| | WD-900-3505 | 2 | S | BEARING - wheel (2000C) |
| 15 | WD-900-6133 | 2 | S | BOLT - 1/2"-13 x 6-1/2" (2000C) |
| 15 | WD-900-6036 | 2 | | BOLT - axle (1800, 1800C) |
| 16 | WD-900-6096 | 4 | | BOLT - wing |
| 17 | WD-900-6092 | 4 | | NUT - gauge wheel handle |
| 18 | WD-900-2044 | 1 | S | BREAKER - circuit 10 amp |
| 19 | WD-900-5510 | 2 | | COLLAR - set 1" |
| 20 | WD-900-3501 | 4 | S | BEARING - 1" |
| 21 | WD-900-5615 | 1 | | PIN - "fas-tatch" |
| 22 | WD-900-5519 | 2 | | PIN - deck |
| 23 | WD-900-5520 | 2 | | PIN - cotter, hair |
| 24 | WD-310-0004 | 1 | | MOUNT - deck |
| 25 | WD-900-5562 | 1 | | SPRING |
| 26 | | 4 | | SCREW - thumb 1/4"-20 x 1/2" (NSS. Use 113-3 and 192-19) |

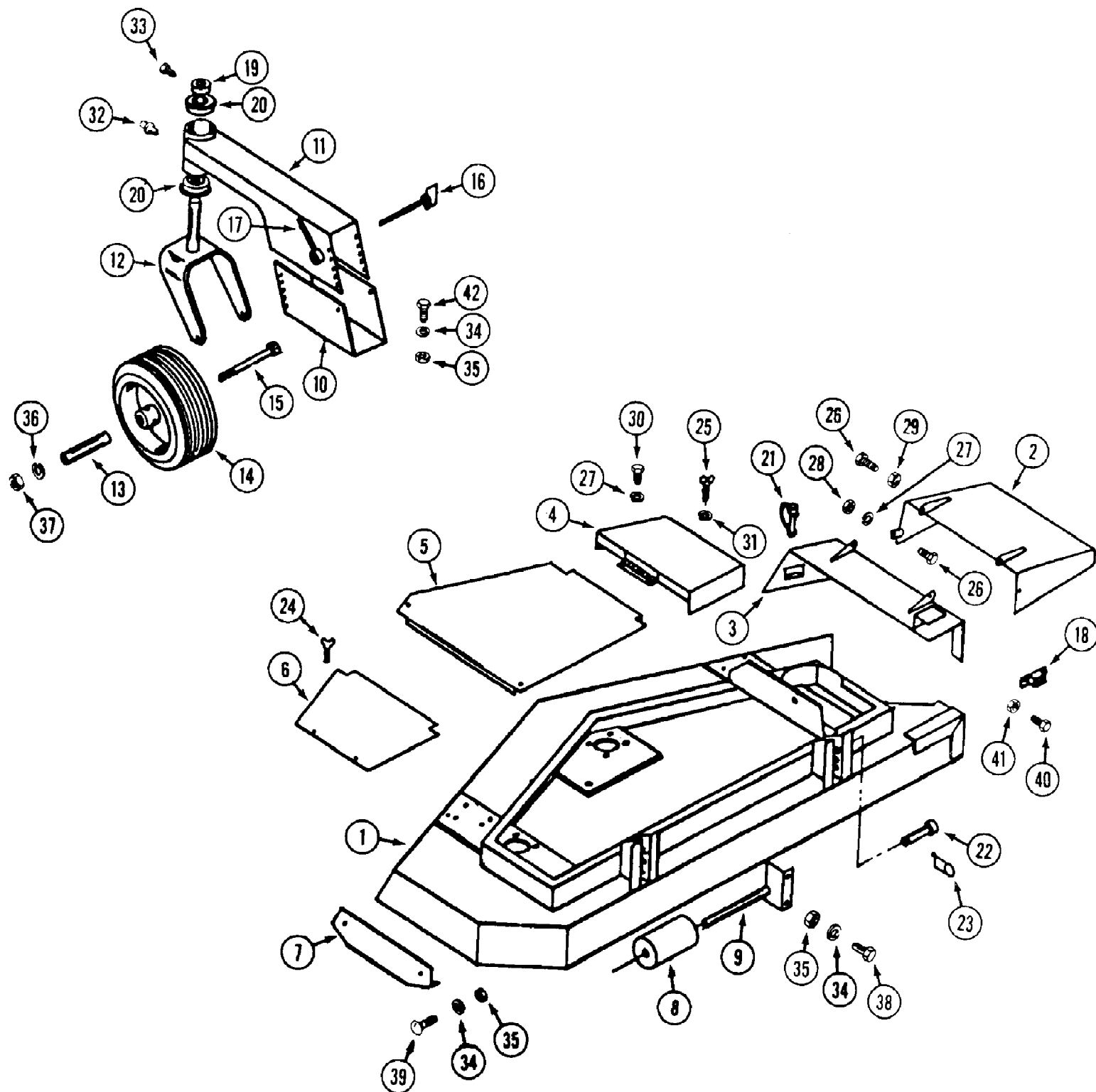


133-026-190 FR-2000C (1993)
42" Mower Drive For W872 & W875 Mower Deck

Page 4 of 53

| Ref # | Part Number | Qty | S/P/F | Description |
|-------|--------------|-----|-------|--|
| 1 | WD-311-0001 | 1 | | MOUNT - gear box |
| 2 | WD-311-0002 | 1 | | GUARD - belt (1800, 1800C) |
| 2 | WD-330-0030 | 1 | | GUARD - belt (2000C) |
| 3 | WD-310-0006 | 1 | | ANGLE - gear box mount |
| 4 | WD-300-0029 | 1 | | TIGHTENER - belt |
| 5 | WD-300-0030 | 1 | | TIGHTENER - belt |
| 6 | WD-300-0025 | 3 | S | HOUSING - spindle |
| 7 | WD-300-0027 | 3 | S | SPACER - spindle |
| 8 | WD-900-3506 | 6 | S | BEARING - spindle |
| 9 | WD-300-0026 | 2 | S | SHAFT - spindle |
| 10 | WD-300-0033 | 1 | | SHAFT - spindle |
| 11 | WD-900-5530 | 3 | S | BLADE (2000C) |
| 11 | WD-900-5531 | 3 | S | BLADE (1800, 1800C) |
| 12 | WD-900-5534 | 3 | S | WASHER - blade |
| 13 | WD-900-6080 | 3 | S | BOLT - 3/8"-24 x 1-1/4" |
| 14 | WD-900-2507 | 2 | S | PULLEY - spindle |
| 15 | WD-900-6002 | 9 | S | WASHER - spacer |
| 16 | WD-900-2516 | 1 | S | PULLEY - spindle, double |
| 17 | WD-900-2515 | 1 | | PULLEY - gear box output |
| 18 | WD-900-2515B | 1 | | HUB - pulley |
| 19 | WD-900-2518 | 2 | S | PULLEY - idler |
| 20 | WD-900-2525 | 1 | S | PULLEY - gear box input (1800, 1800C) |
| 20 | WD-900-2543 | 1 | | PULLEY - gearbox input (2000C) |
| 21 | WD-900-3004 | 1 | S | BELT - drive (1800) |
| 21 | WD-900-3023 | 1 | S | BELT - drive (2000C) |
| 21 | WD-C44241 | 1 | S | BELT - drive (1800C) |
| 22 | WD-900-3006 | 1 | S | BELT - deck |
| 23 | WD-900-3007 | 1 | S | BELT - deck |
| 24 | WD-900-5842 | 1 | S | GEAR BOX |
| 25 | WD-900-6073 | 3 | S | BOLT - 5/16"-24 x 3/4" |
| 26 | WD-300-0017 | 3 | S | WASHER - 5/16", 10 ga. |
| 27 | WD-300-0021 | 6 | S | KEY - 3/16" x 3/16" x 1" |
| 28 | WD-900-6034 | 2 | | BOLT - 1/4"-20 x 4" |
| 29 | WD-900-2528 | 1 | | PULLEY - spindle (1800, 1800C) |
| 30 | WD-900-2507 | 1 | S | PULLEY - spindle (2000C) |
| ?31 | WD-600-0000 | 1 | S | HOUSING ASSEMBLY - spindle (Includes ref. 6, 7, 8) |

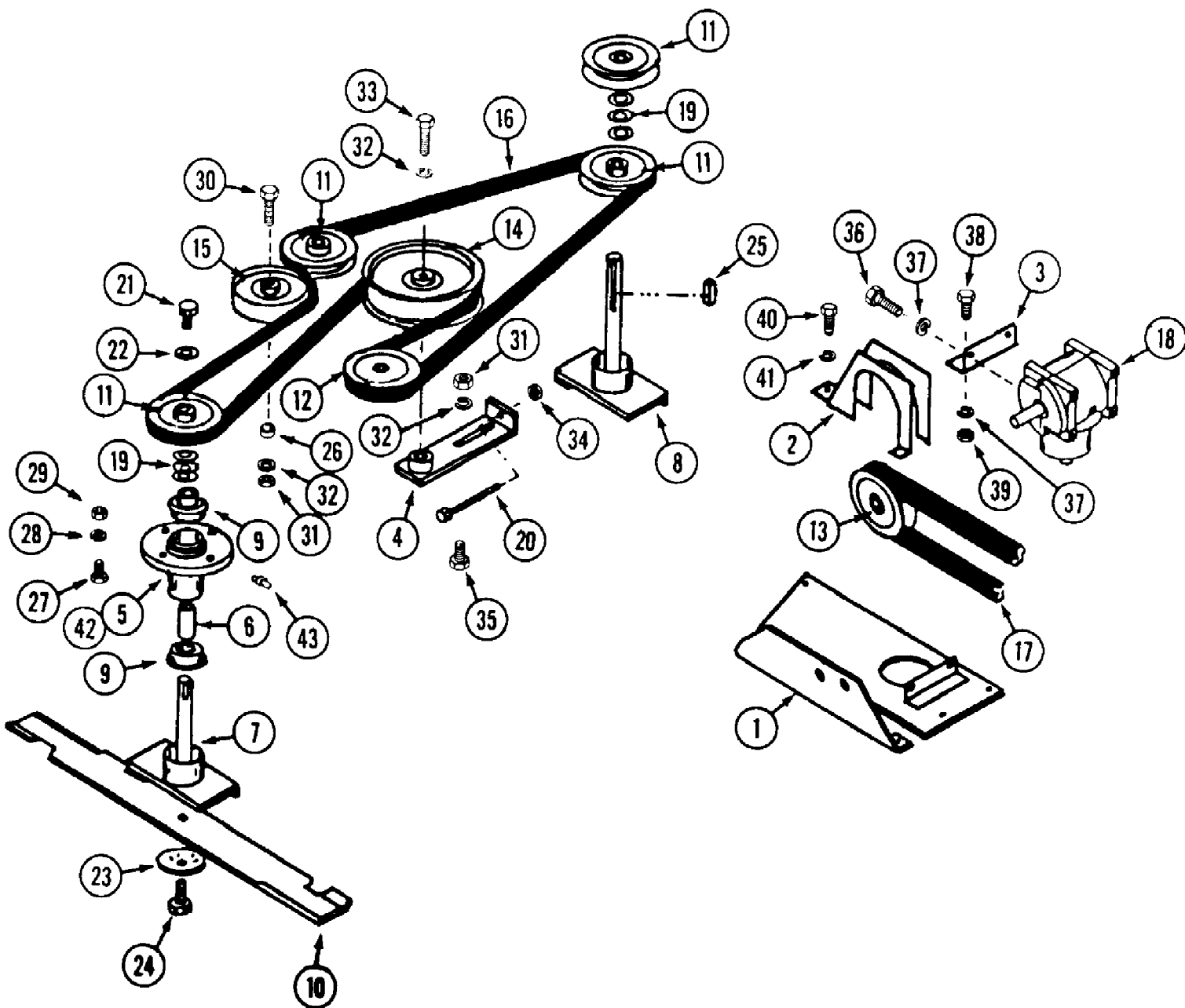
52" Mower Deck & Attaching Parts Model For W873 & W876 Mower Deck



52" Mower Deck & Attaching Parts Model For W873 & W876 Mower Deck

| Ref # | Part Number | Qty | S/P/F | Description |
|-------|-------------|-----|-------|--|
| 1 | WD-C44086 | 1 | | DECK 52" |
| 2 | WD-320-0015 | 1 | | CHUTE - foot guard |
| 3 | WD-320-0016 | 1 | | MOUNT - foot guard |
| 4 | WD-320-0011 | 1 | | COVER - pulley |
| 5 | WD-320-0022 | 1 | | COVER - center |
| 6 | WD-320-0001 | 1 | | COVER - L.H. |
| 7 | WD-320-0014 | 1 | | SHOE - skid |
| 8 | WD-900-5559 | 1 | | ROLLER - anti-scalp |
| 9 | WD-300-0038 | 1 | | SHAFT - roller |
| 10 | WD-300-0044 | 2 | S | BRACKET - gauge wheel mount |
| 11 | WD-300-0043 | 2 | | MOUNT - gauge wheel |
| 12 | WD-330-0007 | 2 | | FORK |
| 13 | WD-200-0017 | 2 | S | AXLE - wheel |
| 14 | WD-900-4004 | 2 | | WHEEL - gauge |
| | WD-900-4006 | 1 | | TIRE - 11 x 4.00 - 5 |
| | WD-900-4005 | 1 | | RIM - 5" |
| | WD-900-3505 | 2 | S | BEARING - wheel |
| 15 | WD-900-6133 | 2 | S | BOLT - 1/2"-13 x 6-1/2" |
| 16 | WD-900-6096 | 4 | | BOLT - wing |
| 17 | WD-900-6092 | 4 | | NUT - gauge wheel handle |
| 18 | WD-900-2044 | 1 | S | BREAKER - circuit, 10 amp |
| 19 | WD-900-5510 | 2 | | COLLAR - set |
| 20 | WD-900-3501 | 4 | S | BEARING - 1" |
| 21 | WD-900-5615 | 1 | | PIN - "fas-tatch" |
| 22 | WD-900-5519 | 1 | | PIN - deck |
| 23 | WD-C29029 | 2 | | PIN - cotter, hair |
| 24 | | 4 | | SCREW - thumb 1/4"-20 x 1/2" (NSS. use 113-3 and 192-19) |
| 25 | | 1 | | SCREW - wing 1/4"-20 x 1" (NSS. use 113-3) |
| 26 | WD-113-3 | 4 | | BOLT - 1/4"-20 x 3/4" |
| 27 | WD-192-19 | 2 | | LOCKWASHER - 1/4" |
| 28 | WD-129-101 | 2 | | NUT - 1/4"-20 |
| 29 | WD-131-71 | 2 | | NUT - 1/4"-20 lock |
| 30 | WD-113-1 | 2 | | BOLT - 1/4"-20 x 1" |
| 31 | WD-195-102 | 1 | | WASHER - 1/4" |
| 32 | WD-C37993 | 2 | | FITTING - grease |
| 33 | WD-C37756 | 2 | | SCREW - set 5/16"-18 x 1/2" square head |
| 34 | WD-900-6151 | 6 | | LOCKWASHER - 5/16" |
| 35 | WD-129-102 | 6 | | NUT - 5/16"-18 |
| 36 | WD-192-23 | 2 | | LOCKWASHER - 1/2" |
| 37 | WD-129-105 | 2 | S | NUT - 1/2"-13 |
| 38 | WD-113-102 | 2 | | BOLT - 5/16"-18 x 3/4" |
| 39 | WD-111-202 | 2 | | BOLT - 5/16"-18 x 3/4" carriage |
| 40 | WD-182-528 | 2 | | SCREW - #10-32 x 1/2" |
| 41 | WD-900-6150 | 2 | | NUT - #10-32 |
| 42 | WD-111-203 | 6 | | BOLT - 5/16"-18 x 1" carriage |

133-026-190 FR-2000C (1993)
52" Mower Drive Model For W873 & W876 Mower Deck



| Ref # | Part Number | Qty | S/P/F | Description |
|-------|--------------|-----|-------|--|
| 1 | WD-321-0001 | 1 | | MOUNT - gear box |
| 2 | WD-311-0002 | 1 | | GUARD - belt (1800, 1800C) |
| 2 | WD-330-0030 | 1 | | GUARD - belt (2000) |
| 3 | WD-310-0006 | 1 | | ANGLE - gear box mount |
| 4 | WD-330-0012 | 1 | | TIGHTENER - belt |
| 5 | WD-300-0025 | 3 | S | HOUSING - spindle |
| 6 | WD-300-0027 | 3 | S | SPACER - spindle |
| 7 | WD-300-0026 | 3 | S | SHAFT - spindle |
| 8 | WD-300-0033 | 1 | | SHAFT - spindle, long |
| 9 | WD-900-3506 | 3 | S | BEARING - spindle |
| 10 | WD-900-5814 | 3 | S | BLADE - mower |
| 11 | WD-900-2511 | 4 | S | PULLEY - spindle |
| 12 | WD-900-2510 | 1 | | PULLEY - gear box output |
| 13 | WD-900-2525 | 1 | S | PULLEY - gear box input (1800, 1800C) |
| 13 | WD-900-2543 | 1 | | PULLEY - gear box input (2000) |
| 14 | WD-900-2521 | 1 | S | PULLEY - idler, large |
| 15 | WD-900-2522 | 1 | S | PULLEY - idler, small |
| 16 | WD-900-3005B | 1 | S | BELT - deck |
| 17 | WD-900-3004 | 1 | S | BELT - drive (1800) |
| 17 | WD-900-3023 | 2 | S | BELT - drive (2000) |
| 17 | WD-C44241 | 1 | S | BELT - drive (1800C) |
| 18 | WD-900-5842 | 1 | S | GEAR BOX - angle drive (See "Gear Box (Curtis) illustration and parts list for repairs) (Curtis model) |
| 18 | WD-C42775 | 1 | S | GEAR BOX - angle drive (See "Gear Box (Superior)" illustration and parts list for repairs.) (Superior model) |
| 19 | WD-900-6002 | 12 | S | SPACER - washer |
| 20 | WD-900-6034 | 1 | | BOLT - 1/4"-20 x 4" |
| 21 | WD-900-6037 | 3 | | BOLT - 5/16"-24 x 3/4" lock |
| 22 | WD-300-0017 | 3 | S | WASHER - 5/16" - 10 ga. |
| 23 | WD-900-5534 | 3 | S | WASHER - blade |
| 24 | WD-900-6080 | 3 | S | BOLT - 3/8"-24 x 1-1/4" |
| 25 | WD-300-0021 | 6 | S | KEY - 3/16" x 1" |
| 26 | WD-300-0016 | 1 | S | SPACER - idler pulley |
| 27 | WD-113-312 | 12 | | BOLT - 7/16"-14 x 1-1/4" |
| 28 | WD-192-22 | 12 | | LOCKWASHER - 7/16" |
| 29 | WD-129-104 | 12 | | NUT - 7/16"-14 |
| 30 | WD-113-257 | 1 | | BOLT - 3/8"-16 x 2-1/2" |
| 31 | WD-129-103 | 1 | S | NUT - 3/8" |
| 32 | WD-192-21 | 1 | S | LOCKWASHER - 3/8" |
| 33 | WD-113-208 | 1 | | BOLT - 3/8"-16 x 1-1/4" |
| 34 | WD-131-71 | 1 | | NUT - 1/4"-20 lock |
| 35 | WD-111-371 | 1 | | BOLT - 3/8"-16 x 1" carriage |
| 36 | WD-113-103 | 4 | | BOLT - 5/16"-18 x 1" |
| 37 | WD-192-20 | 5 | | LOCKWASHER - 5/16" |
| 38 | WD-113-102 | 1 | | BOLT - 5/16"-18 x 3/4" |
| 39 | WD-129-102 | 1 | | NUT - 5/16"-18 |
| 40 | WD-113-1 | 2 | | BOLT - 1/4"-20 x 1/2" |
| 41 | WD-192-19 | 2 | | LOCKWASHER - 1/4" |

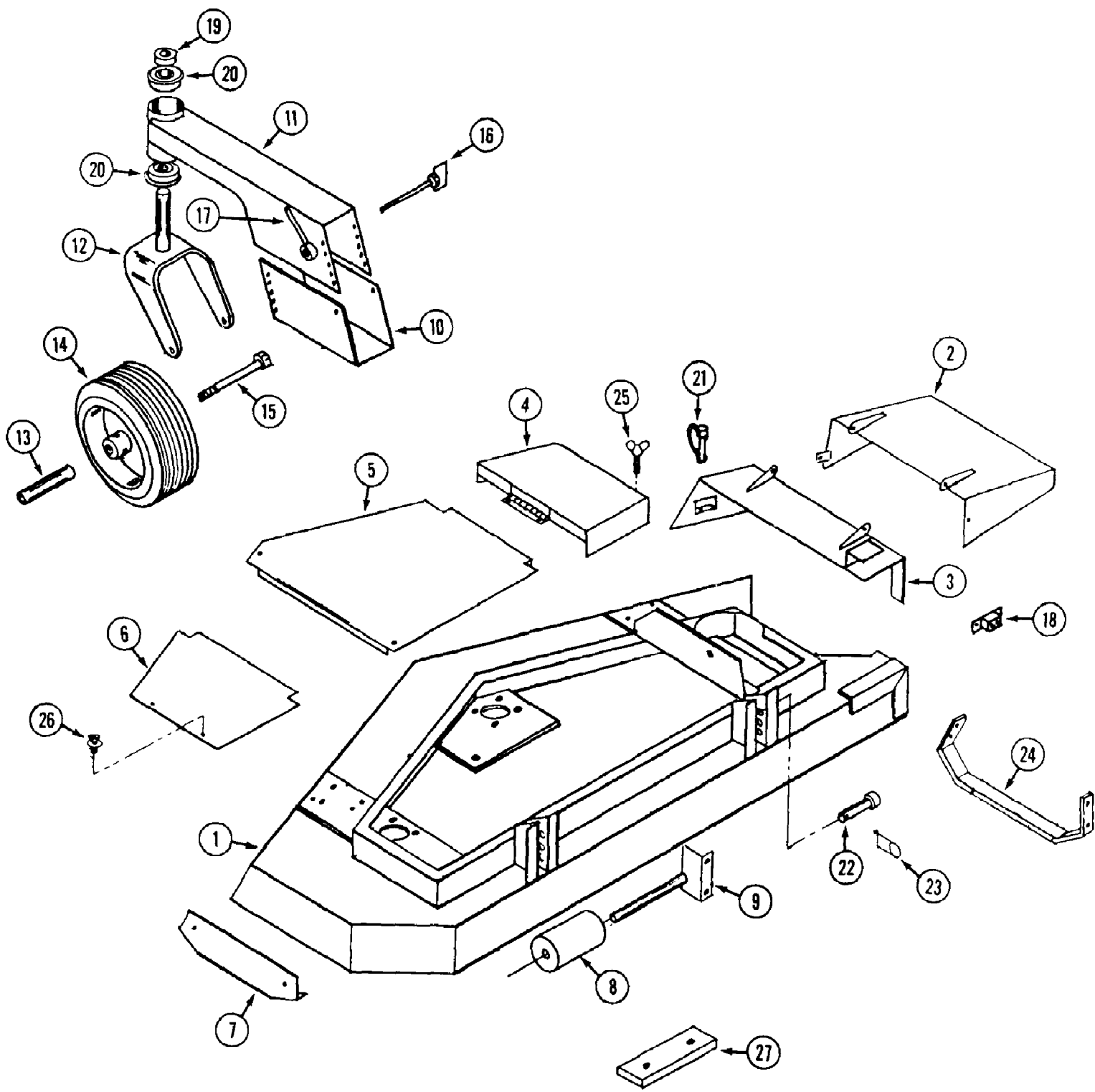
133-026-190 FR-2000C (1993)

Page 9 of 53

52" Mower Drive Model For W873 & W876 Mower Deck

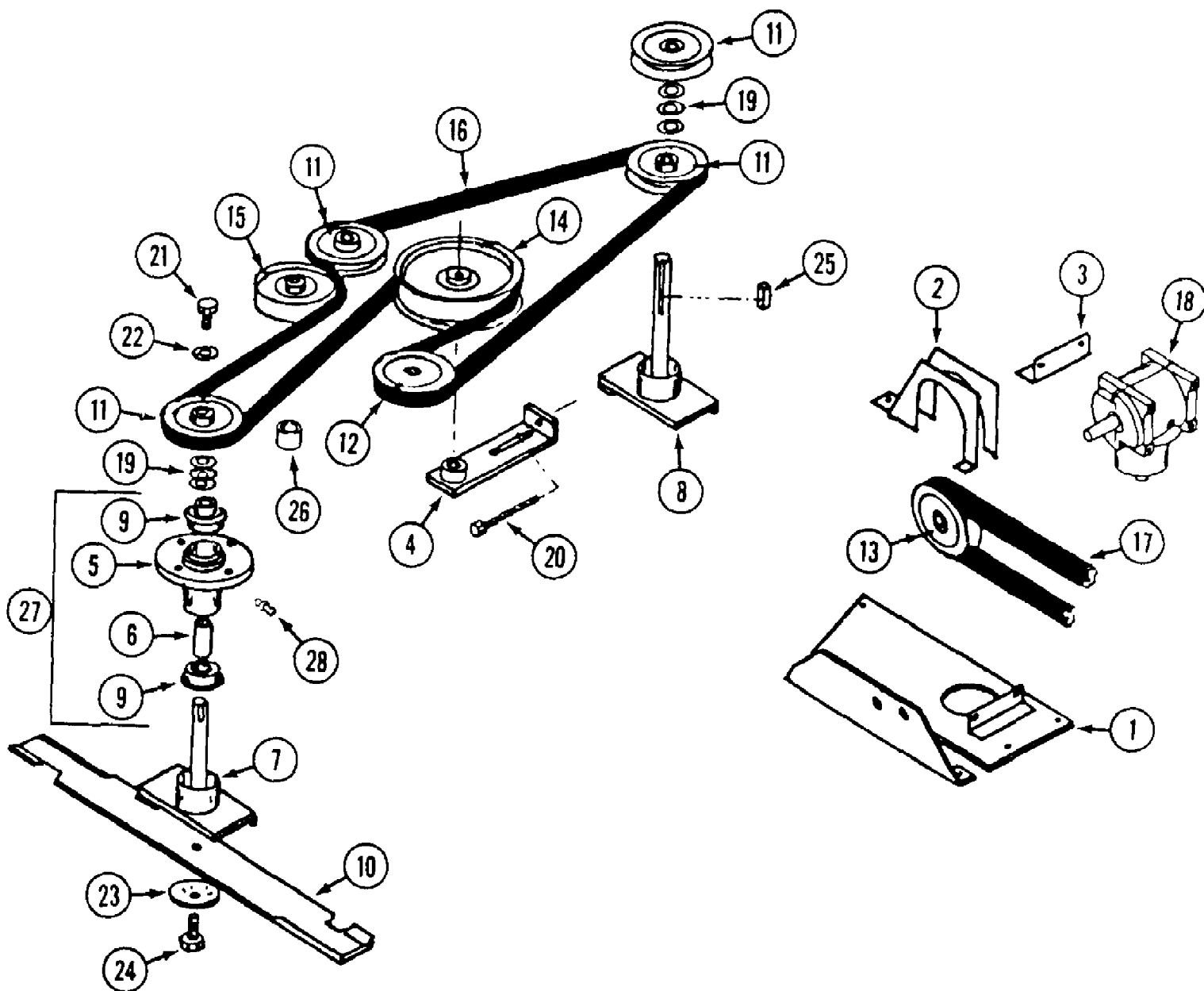
| Ref # | Part Number | Qty | S/P/F | Description |
|-------|-------------|-----|-------|--|
| 42 | WD-600-0000 | 3 | S | HOUSING ASSEMBLY - spindle (Includes ref. 5, 6, 9) |
| 43 | WD-219-20 | 3 | | FITTING - grease 1/4"-28 |

62" Mower Deck & Attaching Parts For W874 & W877 Mower Deck



62" Mower Deck & Attaching Parts For W874 & W877 Mower Deck

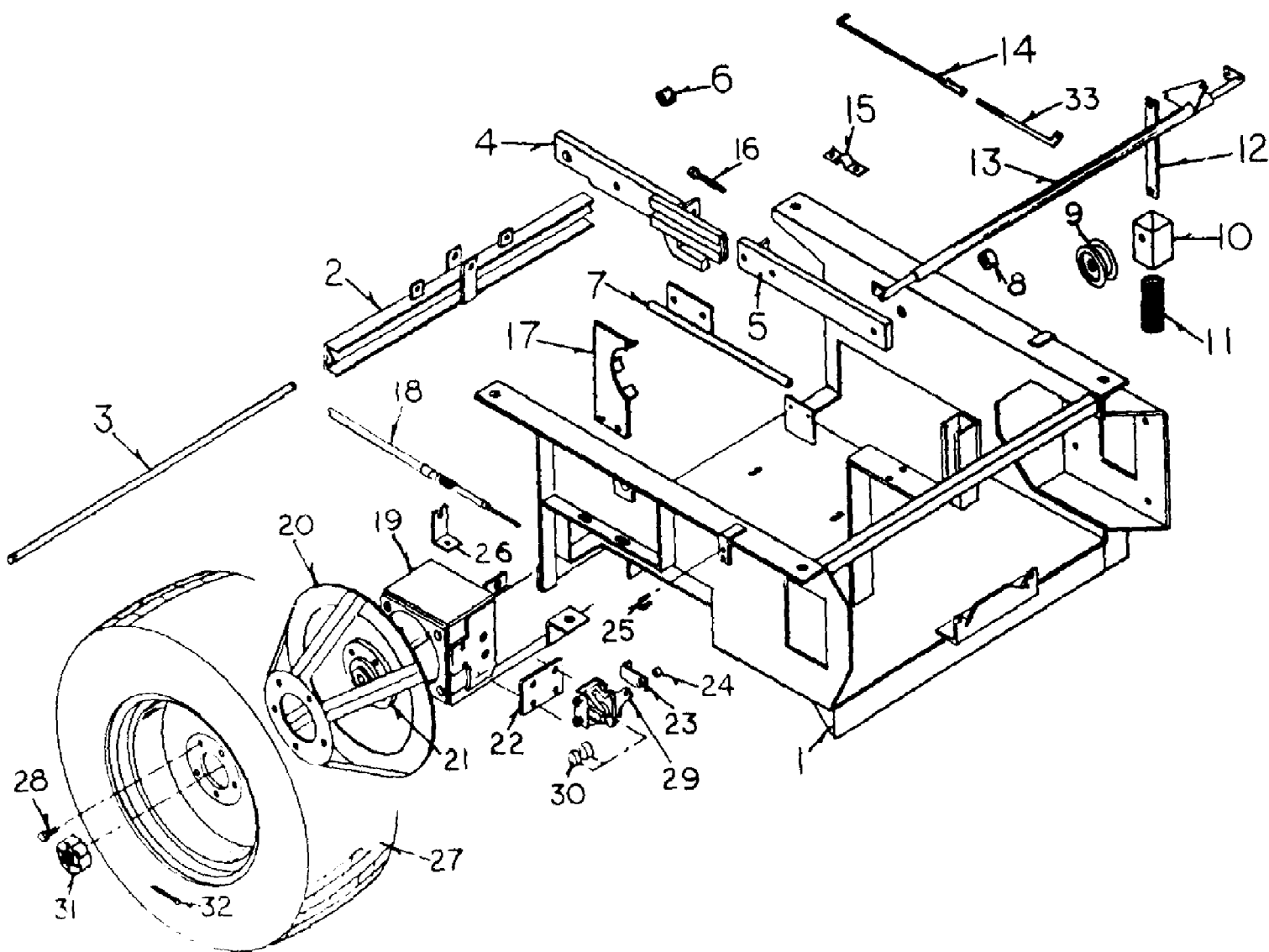
| Ref # | Part Number | Qty | S/P/F | Description |
|-------|-------------|-----|-------|--|
| 1 | WD-C44088 | 1 | S | DECK - 62" |
| 2 | WD-330-0027 | 1 | | CHUTE - foot guard |
| 3 | WD-330-0028 | 1 | | MOUNT - foot guard |
| 4 | WD-330-0025 | 1 | | COVER - pulley |
| 5 | WD-330-0002 | 1 | | COVER - center |
| 6 | WD-330-0001 | 1 | | COVER - L.H. |
| 7 | WD-330-0008 | 1 | S | SHOE - skid L.H. |
| 8 | WD-900-5559 | 1 | | ROLLER - anti-skid |
| 9 | WD-300-0038 | 1 | | SHAFT - roller |
| 10 | WD-300-0044 | 2 | S | BRACKET - gauge wheel mount |
| 11 | WD-300-0043 | 2 | | MOUNT - gauge wheel |
| 12 | WD-330-0007 | 2 | | FORK - gauge wheel |
| 13 | WD-200-0017 | 2 | S | AXLE - gauge wheel |
| 14 | WD-900-4004 | 2 | | WHEEL - gauge |
| | WD-900-4006 | 1 | | TIRE - 11 x 4.00 - 5 |
| | WD-900-4005 | 1 | | RIM - 5" |
| | WD-900-3505 | 2 | S | BEARING - wheel |
| 15 | WD-900-6133 | 2 | S | BOLT - 1/2"-13 x 6-1/2" |
| 16 | WD-900-6096 | 4 | | BOLT - wing |
| 17 | WD-900-6092 | 4 | | NUT - gauge wheel handle |
| 18 | WD-900-2044 | 1 | S | BREAKER - circuit - 10 amp |
| 19 | WD-900-5510 | 2 | | COLLAR - set 1" |
| 20 | WD-900-3501 | 4 | S | BEARING - 1" |
| 21 | WD-900-5615 | 1 | | PIN - "fas-tatch" |
| 22 | WD-900-5519 | 2 | | PIN - deck |
| 23 | WD-C29029 | 2 | | PIN - cotter, hair |
| 24 | WD-330-0011 | 1 | S | SHOE - skid R.H. |
| 25 | | 4 | | SCREW - thumb 1/4"-20 x 1/2" (NSS. use 113-3 and 192-19) |
| 26 | | 1 | | SCREW - wing 1/4"-20 x 1" (NSS. use 113-3) |
| 27 | WD-230-0010 | 3 | | WEIGHT - tail, 13 lb. |



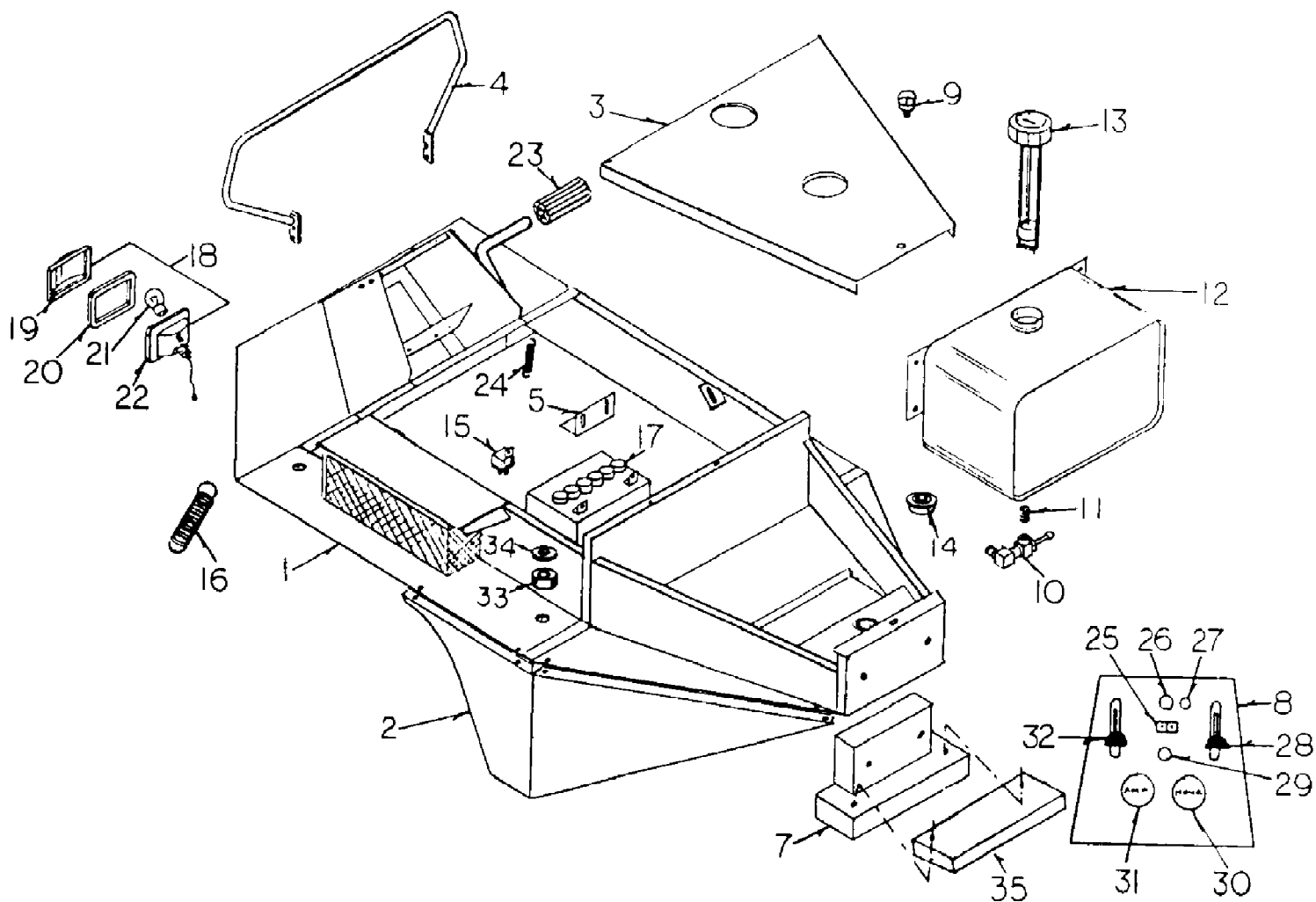
133-026-190 FR-2000C (1993)
62" Mower Drive For W874 & W877 Mower Deck

Page 13 of 53

| Ref # | Part Number | Qty | S/P/F | Description |
|-------|--------------|-----|-------|---|
| 1 | WD-331-0004 | 1 | | MOUNT - gear box |
| 2 | WD-311-0002 | 1 | | GUARD - belt (1800, 1800C) |
| 3 | WD-310-0006 | 1 | | ANGLE - gear box mount |
| 4 | WD-330-0012 | 1 | | TIGHTENER - belt |
| 5 | WD-300-0031 | 3 | S | HOUSING - spindle |
| 6 | WD-300-0034 | 3 | S | SPACER - spindle |
| 7 | WD-300-0032 | 2 | S | SHAFT - spindle, short |
| 8 | WD-300-0040 | 1 | S | SHAFT - spindle, long |
| 9 | WD-900-3506 | 6 | S | BEARING - spindle |
| 10 | WD-900-5730 | 3 | S | BLADE |
| 11 | WD-900-2512 | 4 | | PULLEY - spindle |
| 12 | WD-900-2510 | 1 | | PULLEY - gear box output |
| 13 | WD-900-2525 | 1 | S | PULLEY - gear box input (1800, 1800C) |
| 13 | WD-900-2543 | 1 | | PULLEY - gear box input (2000C) |
| 14 | WD-900-2521 | 1 | S | PULLEY - idler, large |
| 15 | WD-900-2522 | 1 | S | PULLEY - idler, small |
| 16 | WD-900-3008B | 1 | S | BELT - deck |
| 17 | WD-900-3004 | 1 | S | BELT - drive (1800) |
| 17 | WD-900-3023 | 2 | S | BELT - drive (2000C) |
| 17 | WD-C44241 | 1 | S | BELT - drive (1800C) |
| 18 | WD-900-5842 | 1 | S | GEAR BOX - angle drive (See "Gear Box (Curtis)" illustration and parts list for service) (Curtis model) |
| 18 | WD-C42775 | 1 | S | GEAR BOX - angle drive (See "Gear Box (Superior)" illustration and parts list for service) (Superior model) |
| 19 | WD-900-6002 | 12 | S | WASHER - spacer |
| 20 | WD-900-6034 | 1 | | BOLT - 1/4"-20 x 4" |
| 21 | WD-900-6073 | 3 | S | BOLT - 5/16"-24 x 3/4" |
| 22 | WD-300-0017 | 3 | S | WASHER - 5/16", 10 ga |
| 23 | WD-900-5534 | 3 | S | WASHER - blade |
| 24 | WD-900-6080 | 3 | S | BOLT - 3/8"-24 x 1-1/4" |
| 25 | WD-300-0021 | 6 | S | KEY - 3/16" x 3/16" x 1" |
| 26 | WD-300-0016 | 1 | S | SPACER - idler pulley |
| 27 | WD-600-0001 | 3 | S | HOUSING ASSEMBLY - spindle (includes ref. 5, 6, 9) |
| 28 | WD-219-20 | 3 | | FITTING - grease 1/4"-28 |



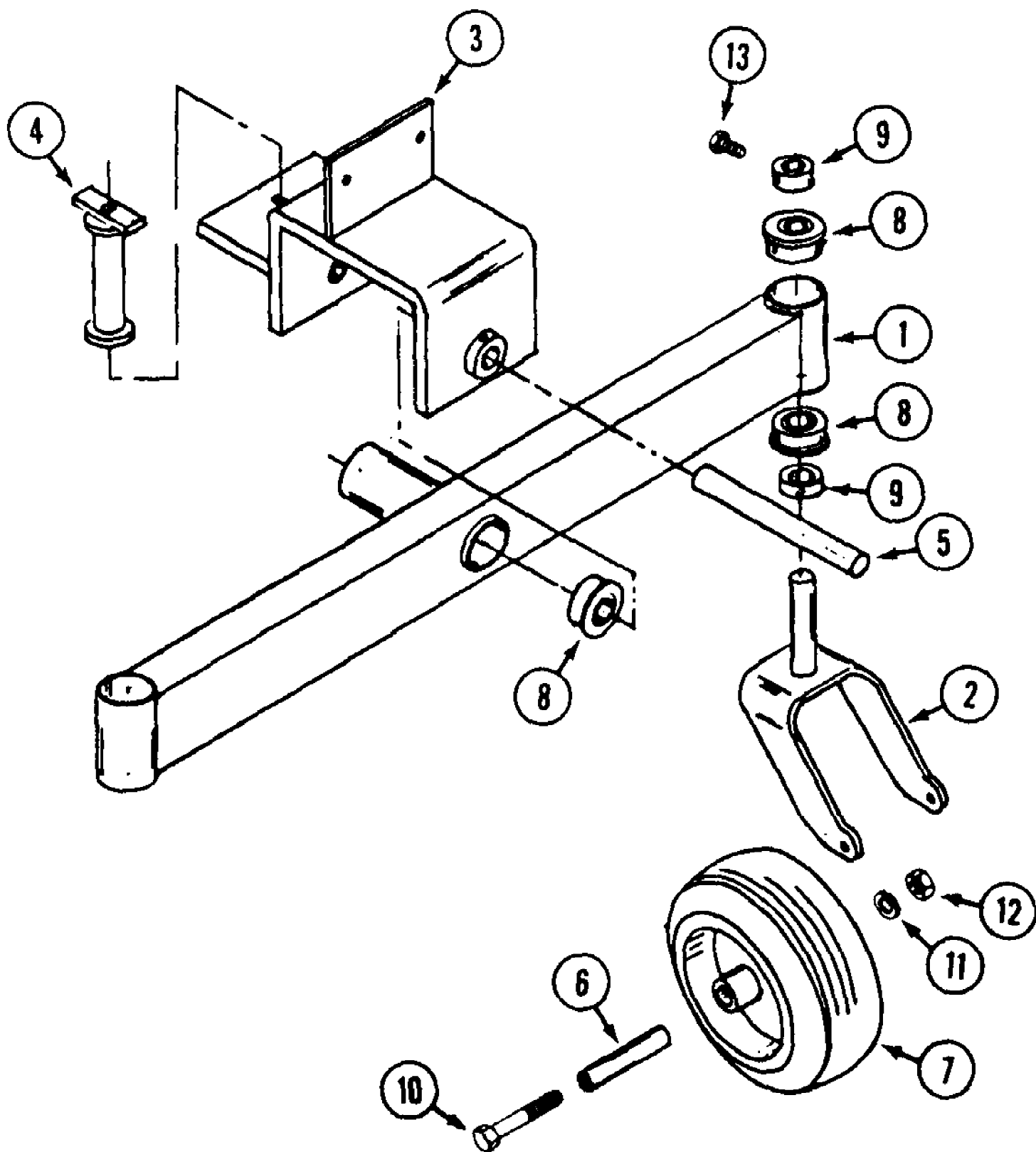
| Ref # | Part Number | Qty | S/P/F | Description |
|-------|---------------|-----|-------|---------------------------------------|
| 1 | WD-112-0000 | 1 | | BASE |
| 2 | WD-112-0016 | 1 | | LIFT BAR |
| 3 | WD-300-0022 | 1 | | CROSS BAR PIN |
| 4 | WD-300-0023RH | 1 | | DECK LIFT ARM - Front Adjustable R.H. |
| | WD-300-0023LH | 1 | | DECK LIFT ARM - Front Adjustable L.H. |
| 5 | WD-330-0024 | 1 | | DECK LIFT ARM - Back |
| 6 | WD-300-0013 | 2 | S | BUSHING - Long |
| 7 | WD-300-0041 | 1 | | WIRE TUBE |
| 8 | WD-300-0013S | 2 | S | BUSHING - short |
| 9 | WD-900-2541 | 1 | S | IDLER PULLEY |
| 10 | WD-111-0019 | 1 | | SPRING LOADED IDLER MOUNT |
| 11 | WD-900-5580 | 1 | | SPRING |
| 12 | WD-112-0014 | 1 | | PIVOT BAR LINKAGE |
| 13 | WD-112-0013 | 1 | | BRAKE CLUTCH ROD |
| 14 | WD-113-0014 | 1 | | BRAKE ROD - adjustable |
| 15 | WD-111-0004 | 2 | S | CROSS ROD BEARING |
| 16 | WD-900-6088 | 2 | | DECK ARM ADJUSTING BOLT |
| 17 | WD-112-0015 | 1 | | BELT RETAINER |
| 18 | WD-900-5718 | 2 | | BRAKE CABLES |
| 19 | WD-112-0001 | 1 | | AXLE |
| 20 | WD-140-0047 | 2 | | BRAKE DISC |
| 21 | WD-900-4028 | 2 | | HUB - 5 BOLT |
| 22 | WD-112-0002 | 2 | | BRAKE CALIPER MOUNT |
| 23 | WD-200-0013 | 4 | S | CABLE END |
| 24 | WD-200-0014 | 4 | S | BUSHING |
| 25 | WD-900-5503 | 2 | S | CLAMP |
| 26 | WD-112-0005 | 2 | | CABLE DEAD HEAD |
| 27 | WD-900-4037 | 2 | | TIRE ASSEMBLY - 20 x 8.00-10 |
| | WD-900-4043 | 1 | | TIRE - 20 x 8.00-10 |
| | WD-900-4044 | 1 | | RIM |
| 27 | WD-900-4039 | 2 | | TIRE ASSEMBLY - 20 x 10.00-10 |
| | WD-900-4045 | 1 | | TIRE - 20 x 10.00-10 |
| | WD-900-4046 | 1 | | RIM |
| 28 | WD-900-6105 | 10 | | LUG BOLT |
| 29 | WD-900-5691 | 1 | | BRAKE CALIPER - L.H. (Shown) |
| 29 | WD-900-5690 | 1 | | BRAKE CALIPER - R.H. |
| 30 | WD-900-5567 | 1 | S | BRAKE PUCKS |
| 31 | WD-900-8126 | 2 | | HUB NUT |
| 32 | WD-900-6177 | 2 | | COTTER KEY |
| 33 | WD-111-0007 | 1 | | CALIPER ROD |



133-026-190 FR-2000C (1993)
Body Assembly

Page 17 of 53

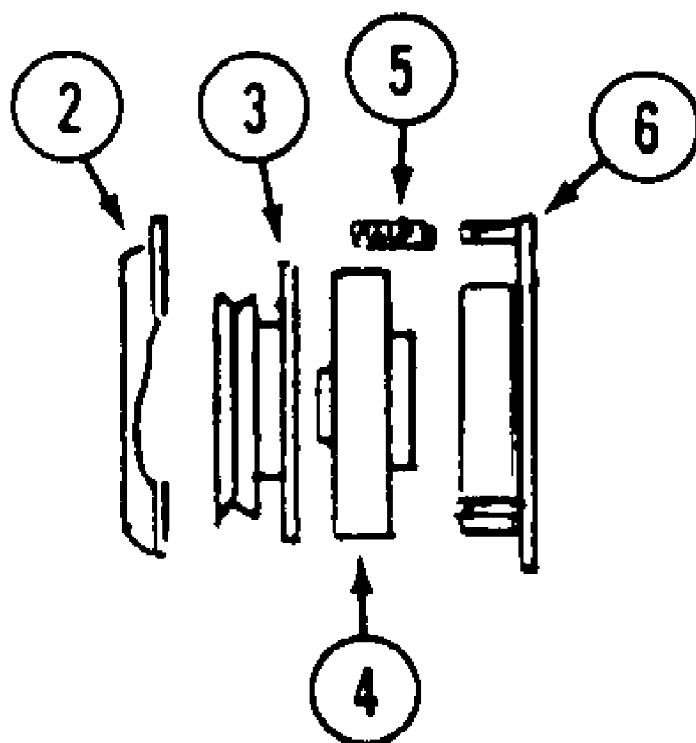
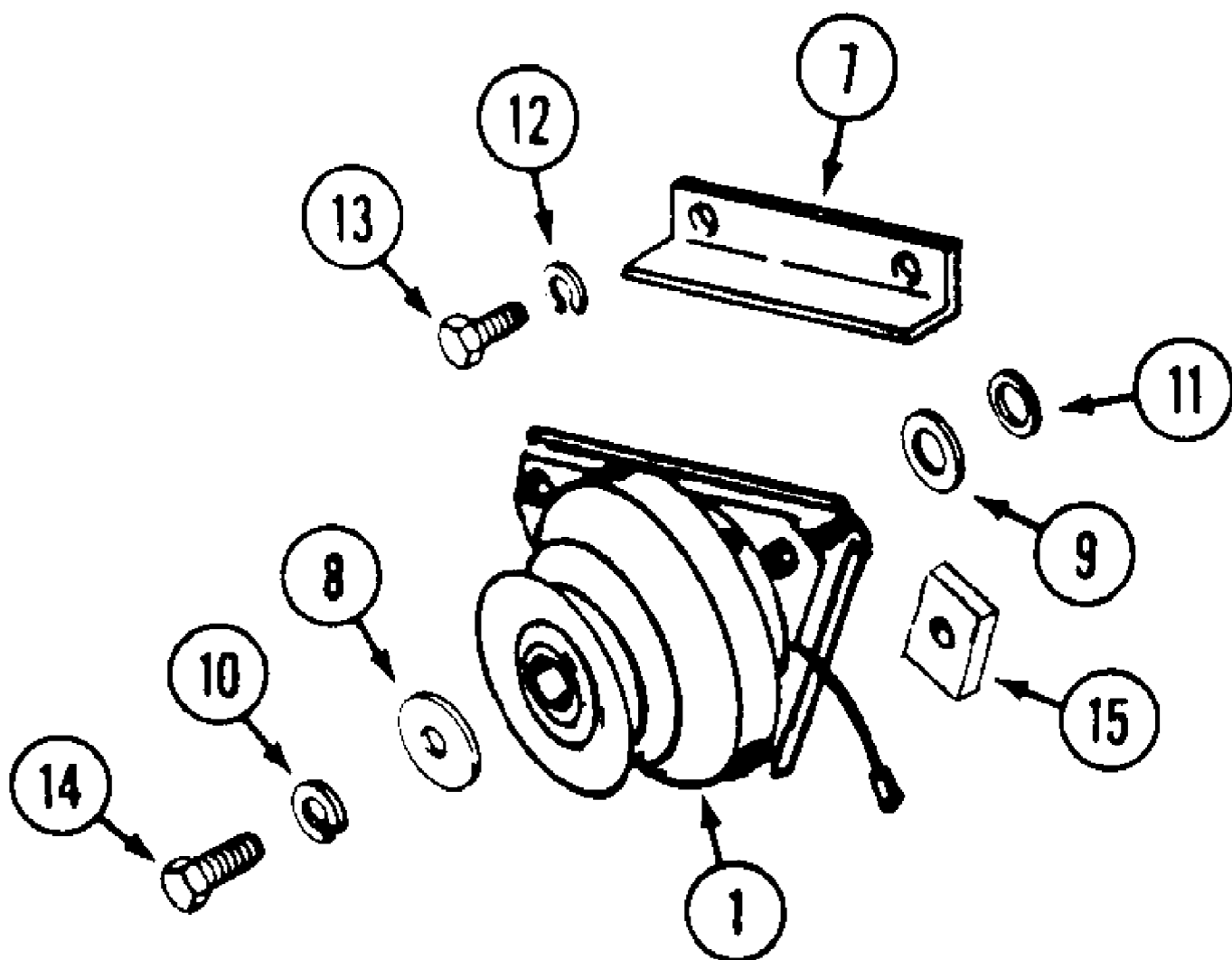
| Ref # | Part Number | Qty | S/P/F | Description |
|-------|-------------|-----|-------|---------------------------------|
| 1 | WD-212-0000 | 1 | | BODY |
| 2 | WD-201-0012 | 1 | | FENDER - L.H. (Shown) |
| | WD-201-0013 | 1 | | FENDER - R.H. |
| 3 | WD-212-0001 | 1 | | BACK COVER |
| 4 | WD-C44568 | 1 | | GUARD RAIL |
| 5 | WD-212-0006 | 1 | | HOLD DOWN |
| ?6 | WD-212-0004 | 1 | | TOP CYLINDER MOUNT |
| 7 | WD-201-0002 | 1 | | TAIL WEIGHT |
| 8 | WD-201-0006 | 1 | S | DASHBOARD |
| 9 | WD-900-5522 | 1 | | DZUS FASTENER |
| 10 | WD-900-5513 | 1 | | SHUTOFF VALVE |
| 11 | WD-900-5706 | 1 | | NIPPLE - 1/8" |
| 12 | WD-900-5533 | 1 | | FUEL TANK |
| 13 | WD-C44290 | 1 | /P | FUEL TANK CAP w/Gauge |
| 14 | WD-900-3501 | 2 | S | BEARING |
| 15 | WD-900-2037 | 3 | S | RELAY |
| 16 | WD-900-5516 | 2 | | DECK SPRING |
| 17 | WD-900-2060 | 1 | | BATTERY |
| 18 | WD-900-2014 | 2 | | LIGHT ASSEMBLY |
| 19 | WD-900-2024 | 2 | S | LENS |
| 20 | WD-900-2068 | 4 | | GASKET |
| 21 | WD-900-2025 | 2 | S | BULB |
| 22 | WD-900-2026 | 2 | | LAMP |
| 23 | WD-900-5563 | 1 | S | BRAKE PEDAL PAD |
| 24 | WD-900-5569 | 1 | S | SPRING |
| 25 | WD-C43044 | 1 | | LIGHT SWITCH |
| 26 | WD-900-2028 | 1 | S | CLUTCH SWITCH |
| 27 | WD-900-2041 | 1 | | OIL LIGHT |
| 28 | WD-900-5605 | 1 | S | THROTTLE CABLE |
| 29 | WD-900-2003 | 1 | S | IGNITION SWITCH |
| 30 | WD-900-2023 | 1 | S | HOUR METER |
| 31 | WD-900-2002 | 1 | | AMP METER |
| 32 | WD-900-5508 | 1 | | CHOKE CABLE |
| 33 | WD-900-5509 | 8 | | RUBBER BODY MOUNT |
| 34 | WD-200-0015 | 4 | | BODY MOUNT WASHER |
| 35 | WD-230-0010 | UAR | | TAIL WEIGHT - 13 lb. (Optional) |



133-026-190 FR-2000C (1993)
Dual Tail Wheel

Page 19 of 53

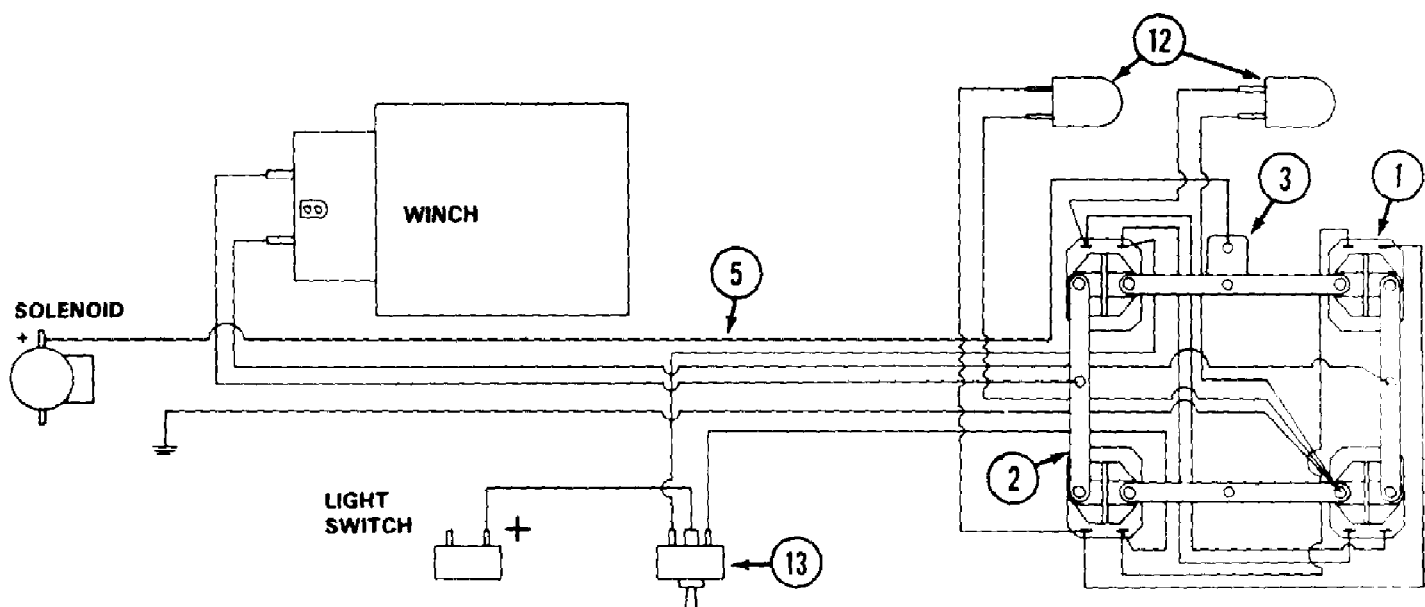
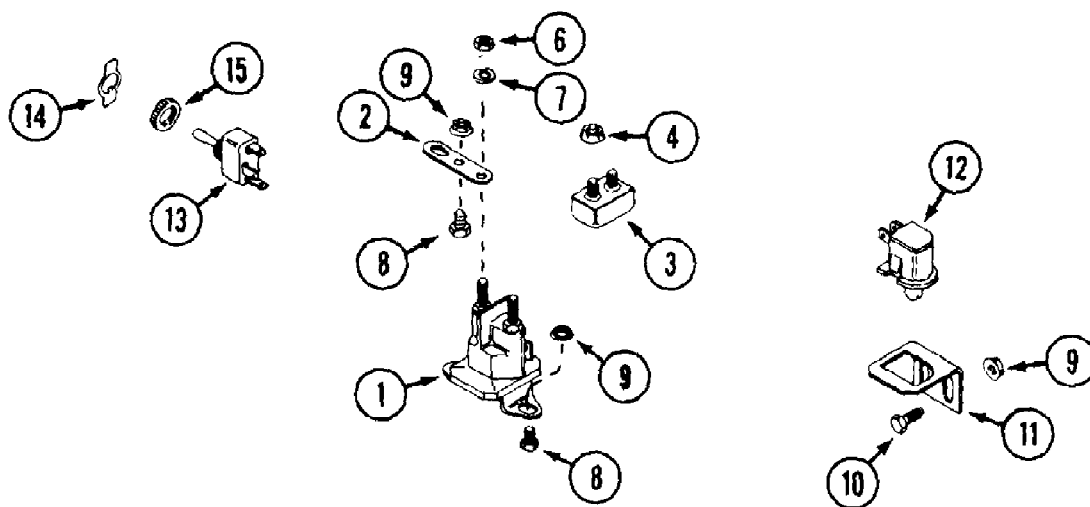
| Ref # | Part Number | Qty | S/P/F | Description |
|-------|-------------|-----|-------|---|
| 1 | WD-230-0004 | 1 | | AXLE - dual wheel |
| 2 | WD-230-0007 | 2 | | FORK - tail wheel |
| 3 | WD-230-0005 | 1 | | BRACKET - mounting |
| 4 | WD-230-0006 | 1 | | TUBE - block |
| 5 | WD-230-0008 | 1 | | PIVOT - axle |
| 6 | WD-200-0017 | 2 | S | AXLE - wheel |
| 7 | WD-900-4022 | 2 | S | WHEEL ASSEMBLY |
| | WD-900-3505 | 2 | S | BEARING - wheel |
| | WD-900-4047 | 2 | | TIRE - 13 x 5.00 - 6 |
| | WD-900-4050 | 2 | | RIM |
| 8 | WD-900-3501 | 6 | S | BEARING - 1" |
| 9 | WD-900-5510 | 4 | | COLLAR - set 1" |
| 10 | WD-900-6133 | 2 | S | BOLT - 1/2"-13 x 6-1/2" |
| 11 | WD-192-23 | 2 | | LOCKWASHER - 1/2" |
| 12 | WD-129-105 | 2 | S | NUT - 1/2"-13 |
| 13 | WD-C37756 | 4 | | SCREW - set 5/16"-18 x 1/2" square head |
| | WD-219-92 | UAR | | FITTING - grease 90° 1/4" - 28 self tap (castor pivot) |



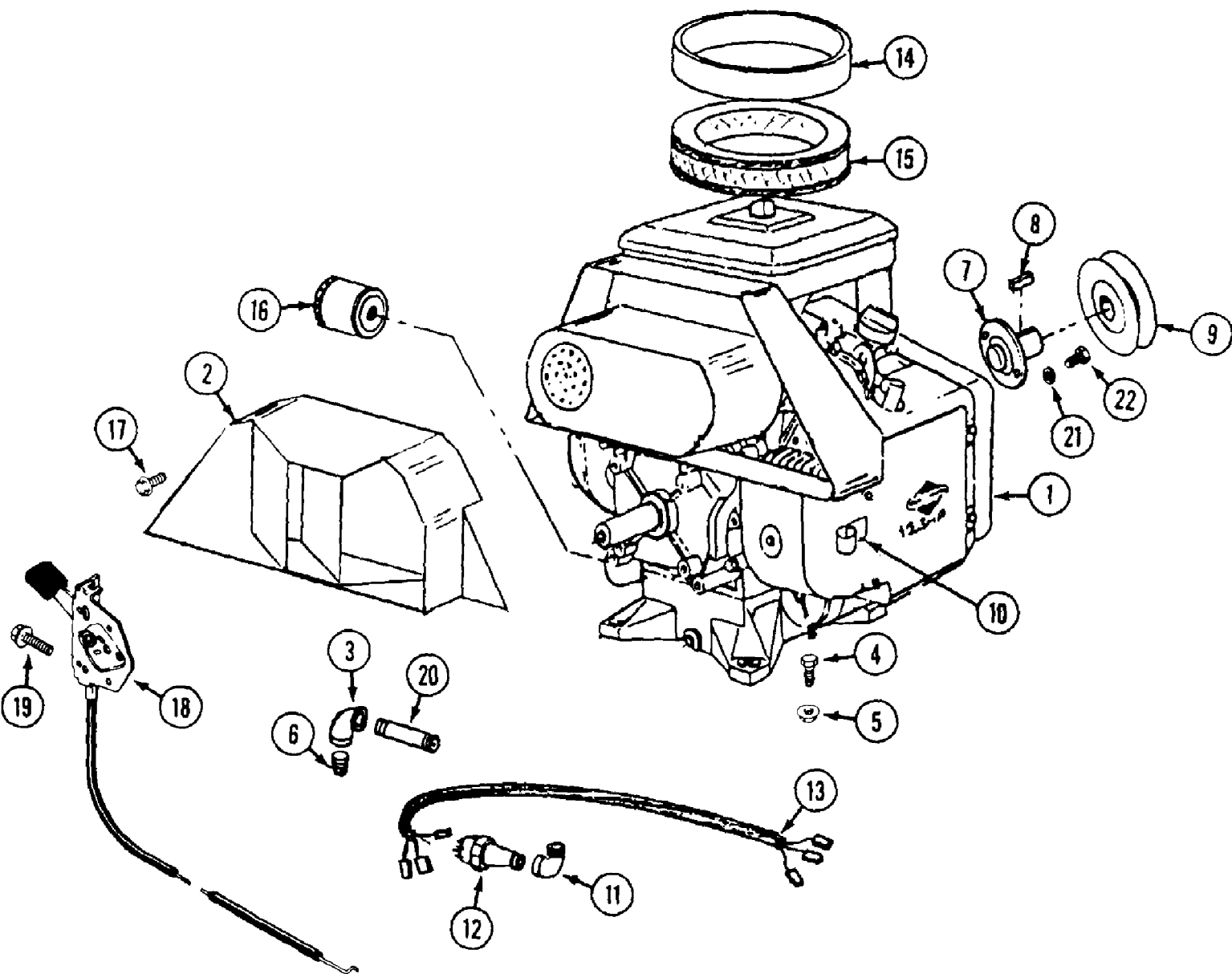
133-026-190 FR-2000C (1993)
Electric Clutch (PTO)

Page 21 of 53

| Ref # | Part Number | Qty | S/P/F | Description |
|-------|-------------|-----|-------|--|
| 1 | WD-900-5581 | 1 | S | CLUTCH ASSEMBLY |
| 2 | WD-900-5582 | 1 | | BRAKE - clutch |
| 3 | WD-900-5583 | 1 | | ARMATURE - clutch |
| 4 | WD-900-5584 | 1 | S | ROTOR - clutch |
| 5 | WD-900-5586 | 1 | | KIT - spring and nut (3 each) |
| 6 | WD-900-5585 | 1 | S | COIL - clutch |
| 7 | WD-113-0010 | 1 | S | BRACKET - clutch stop (Current production) |
| 8 | WD-C31615 | 1 | | WASHER - retaining |
| 9 | WD-900-6000 | 1 | | WASHER - 1" (Early production) |
| 10 | WD-192-21 | 1 | S | LOCKWASHER - 3/8" |
| 11 | WD-C31614 | 1 | | WASHER - 1-1/8" |
| 12 | WD-192-22 | 2 | | LOCKWASHER - 7/16" |
| 13 | WD-113-335 | 2 | | BOLT - 7/16"-14 x 3/4" |
| 14 | WD-114-203 | 1 | S | BOLT - 3/8"-24 x 1-1/2" |
| 15 | WD-113-0010 | 2 | S | BRACKET - clutch stop (Early production) |



| Ref # | Part Number | Qty | S/P/F | Description |
|-------|-------------|-----|-------|-------------------------------|
| 1 | WD-C33024 | 4 | S | SOLENOID - 12V |
| 2 | WD-C43966 | 4 | | STRAP |
| 3 | WD-C43983 | 1 | | BREAKER - 40 amp, 12V |
| 4 | WD-900-6150 | 2 | | NUT - #10-32 |
| 5 | WD-C43969 | 1 | | HARNESS - wire |
| 6 | WD-129-101 | 8 | | NUT - 1/4"-20 |
| 7 | WD-192-19 | 8 | | LOCKWASHER - 1/4" |
| 8 | WD-113-1 | 8 | | BOLT - 1/4"-20 x 1/2" |
| 9 | WD-131-934 | 10 | | NUT - 1/4"-20 flange |
| 10 | WD-113-3 | 2 | | BOLT - 1/4"-20 x 3/4" |
| 11 | WD-C43965 | 2 | | BRACKET - switch |
| 12 | WD-C33744 | 2 | | SWITCH - limit |
| 13 | WD-C43985 | 1 | | SWITCH - lift |
| 14 | WD-C44495 | 1 | | DECAL - switch identification |
| 15 | WD-C44471 | 1 | | NUT - 15/32"-32, switch |



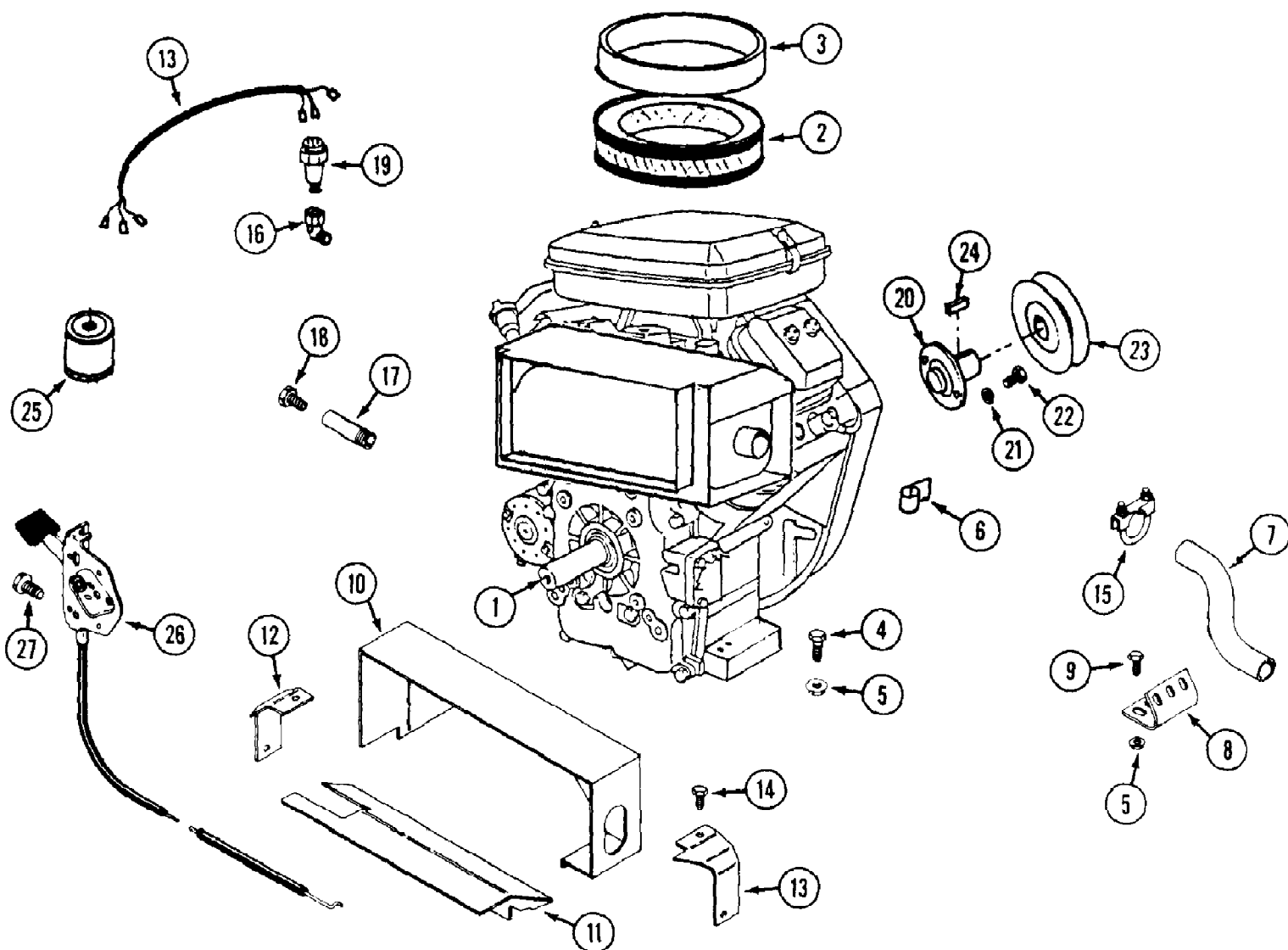
Engine and Attaching Parts - Briggs and Stratton (I C Model)

| Ref # | Part Number | Qty | S/P/F | Description |
|-------|-------------|-----|-------|---|
| 1 | WD-C41674 | 1 | F | ENGINE - Briggs and Stratton For model 422447, Spec. No. 1277 (18 hp) |
| 2 | WD-111-0001 | 1 | | DUCT - air |
| 3 | WD-900-5720 | 1 | | ELBOW - 3/8" |
| 4 | WD-113-104 | 4 | | BOLT - 5/16"-18 x 1-1/4" |
| 5 | WD-131-911 | 4 | S | NUT - 5/16"-18 |
| 6 | WD-900-8024 | 1 | | PLUG - pipe 3/8" |
| 7 | WD-100-0013 | 1 | S | SHAFT - stub |
| 8 | WD-100-0014 | 1 | S | KEY - 1/4" x 1/4" x 1" |
| 9 | WD-900-2503 | 1 | S | PULLEY - drive (use 83-55 set screw) |
| 10 | WD-100-0021 | 2 | | RETAINER - starter cable |
| 11 | WD-221-411 | 1 | | ELBOW - street 1/8" |
| 12 | WD-900-5017 | 1 | S | UNIT - oil sending |
| 13 | WD-900-2067 | 1 | | HARNESS - wire |
| 14 | WD-900-5008 | 1 | S | PRECLEANER |
| 15 | WD-900-5005 | 1 | S | FILTER - air |
| 16 | WD-900-5022 | 1 | S | FILTER - oil |
| 17 | WD-121-21 | 7 | | BOLT - 1/4"-20 flange lock |
| 18 | WD-900-5508 | 1 | | CABLE - choke |
| 18 | WD-900-5605 | 1 | S | CABLE - throttle |
| 19 | WD-C39403 | 4 | | SCREW - #12 x 1/2" |
| 20 | WD-900-5721 | 1 | | NIPPLE - 3/8" |
| 21 | WD-192-21 | 2 | S | LOCKWASHER |
| 22 | WD-113-207 | 2 | S | BOLT - 3/8"-16 x 1" |

133-026-190 FR-2000C (1993)

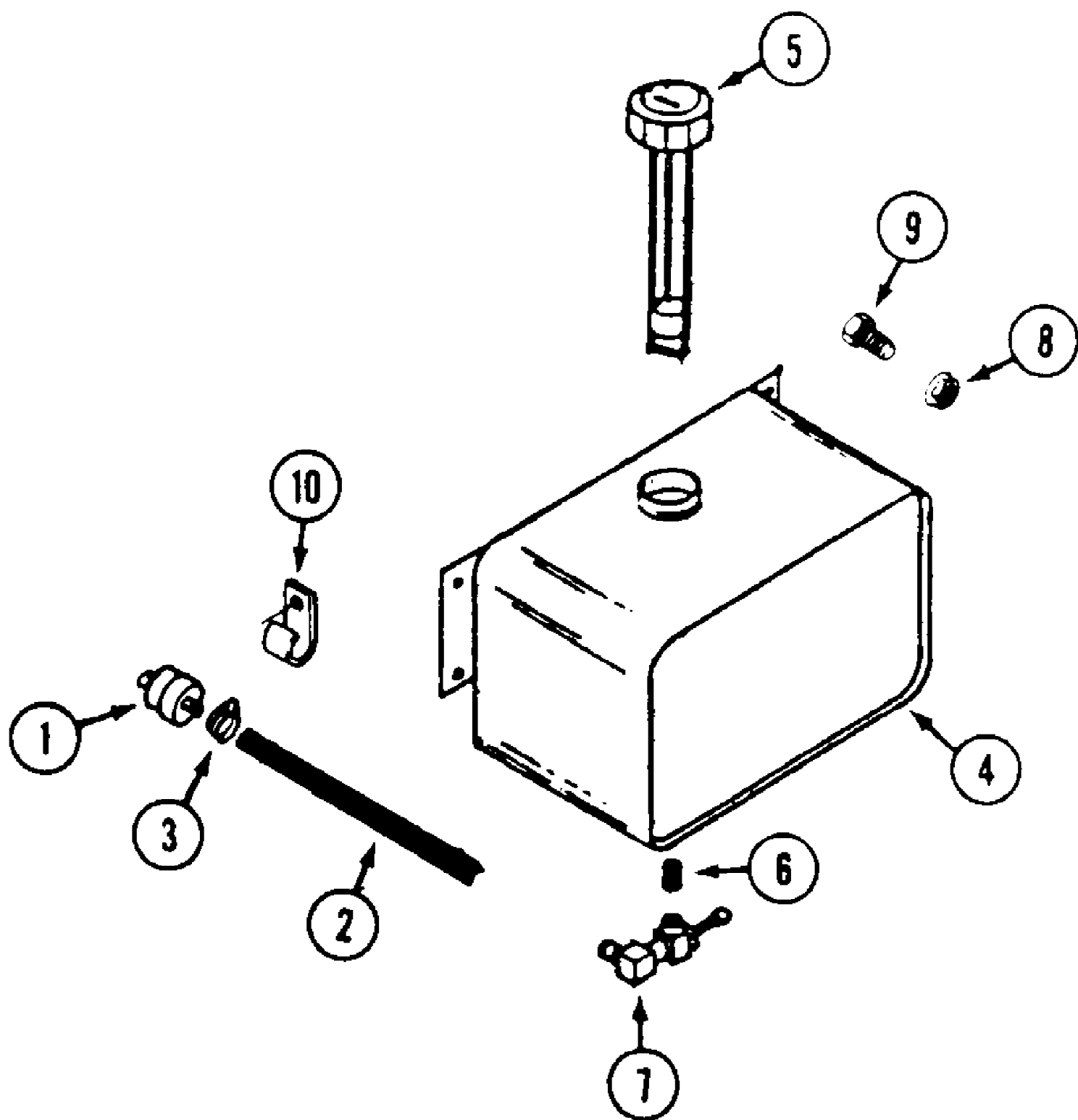
Page 26 of 53

Engine and Attaching Parts - Briggs and Stratton Vanguard Model



Engine and Attaching Parts - Briggs and Stratton Vanguard Model

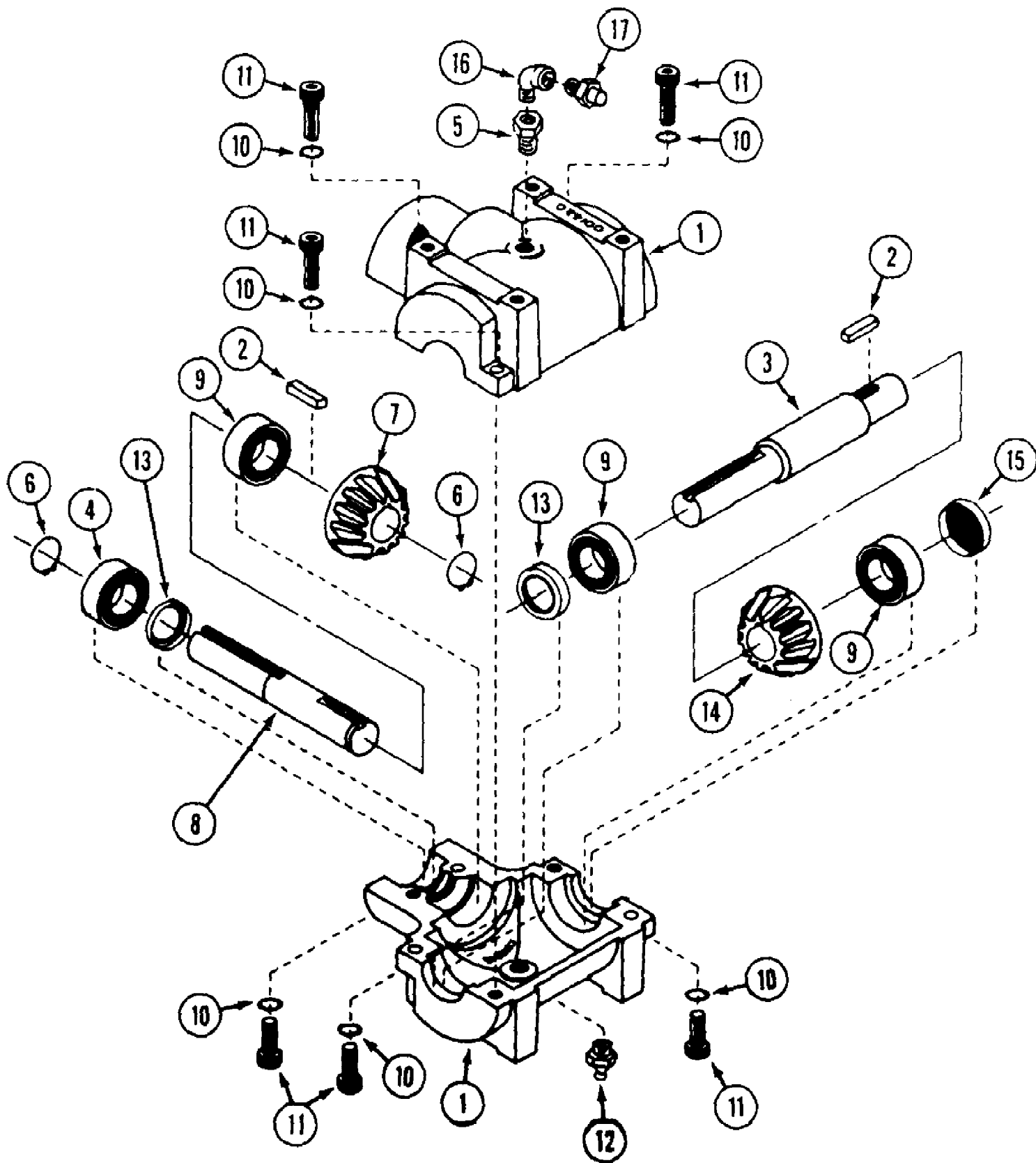
| Ref # | Part Number | Qty | S/P/F | Description |
|-------|-------------|-----|-------|--|
| 1 | WD-C43409 | 1 | F | ENGINE - Briggs & Stratton For model 350447, type 0124 (18 hp) |
| 2 | WD-900-5005 | 1 | S | ELEMENT - air cleaner |
| 3 | WD-900-5008 | 1 | S | PRE-CLEANER |
| 4 | WD-113-104 | 4 | | BOLT - 5/16"-18 x 1-1/4" |
| 5 | WD-131-911 | 5 | S | NUT - 5/16"-18 flange lock |
| 6 | WD-C32455 | 2 | | CLIP - "J" |
| 7 | WD-C44244 | 1 | | PIPE - exhaust |
| 8 | WD-C44243 | 1 | | BRACKET - exhaust pipe |
| 9 | WD-113-103 | 1 | | BOLT - 5/16"-18 x 1" |
| 10 | WD-C44259 | 1 | | DUCT - muffler, upper |
| 11 | WD-C44256 | 1 | | DUCT - bottom |
| 12 | WD-C44254 | 1 | | SUPPORT - duct front |
| 13 | WD-C44255 | 1 | | SUPPORT - duct rear |
| 14 | WD-C37200 | 3 | | SCREW - M6 x 10 |
| 15 | WD-C28294 | 2 | | CLAMP - exhaust |
| 16 | WD-217-1085 | 1 | | FITTING - street elbow, 1/4" NPT 45° |
| 17 | WD-C33949 | 1 | | NIPPLE - pipe 3.5" |
| 18 | WD-218-5154 | 1 | | PLUG - 1/2"-20 |
| 19 | WD-900-5017 | 1 | S | UNIT - oil sending |
| 20 | WD-100-0013 | 1 | S | SHAFT - stub |
| 21 | WD-192-21 | 2 | S | LOCKWASHER - 3/8" |
| 22 | WD-113-207 | 2 | S | BOLT - 3/8"-16 x 1" |
| 23 | WD-900-2503 | 1 | S | PULLEY - engine (use 83-55 set screw) |
| 24 | WD-100-0014 | 1 | S | KEY - 1/4" x 1/4" x 1" |
| 25 | WD-C34374 | 1 | S | FILTER - oil |
| 26 | WD-900-5508 | 1 | | CABLE - choke |
| 26 | WD-900-5605 | 1 | S | CABLE - throttle |
| 27 | WD-900-6152 | 4 | | SCREW - #12 x 1/2" |



133-026-190 FR-2000C (1993)
Fuel System

Page 29 of 53

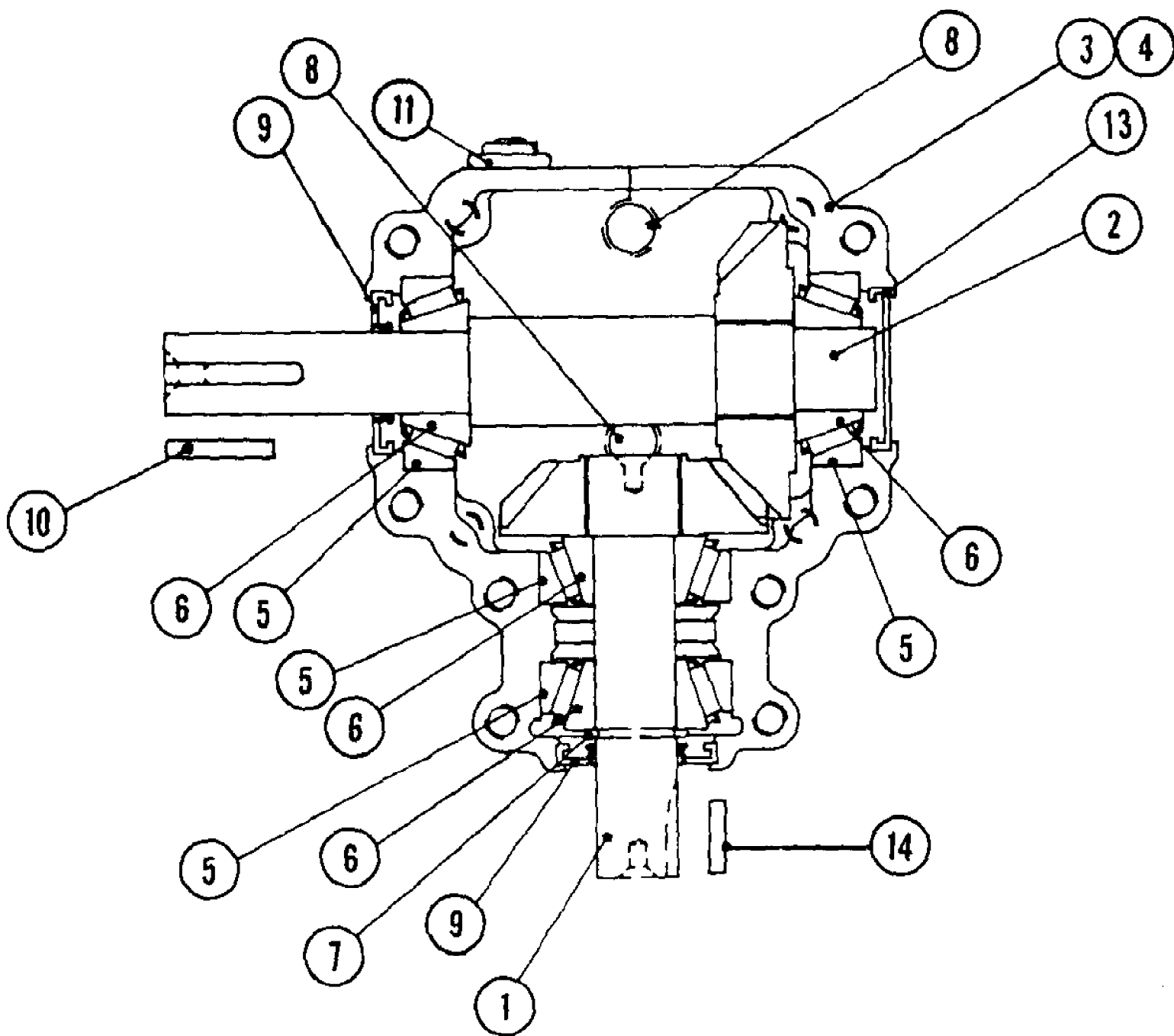
| Ref # | Part Number | Qty | S/P/F | Description |
|-------|-------------|-----|-------|------------------------------|
| 1 | WD-900-5514 | 1 | S | FILTER - fuel |
| 2 | WD-C44027 | 1 | | HOSE - fuel (Cut to length) |
| 3 | WD-214-103 | 4 | | CLAMP - hose |
| 4 | WD-900-5533 | 1 | | TANK - fuel |
| 5 | WD-C44290 | 1 | /P | CAP - fuel tank (With gauge) |
| 6 | WD-900-5706 | 1 | | NIPPLE - pipe 1/8" |
| 7 | WD-900-5513 | 1 | | VALVE - shut off |
| 8 | WD-131-934 | 4 | | NUT - 1/4"-20 flange lock |
| 9 | WD-113-1 | 1 | | BOLT - 1/4"-20 x 1/2" |
| 9 | WD-113-3 | 3 | | BOLT - 1/4"-20 x 3/4" |
| 10 | WD-C32455 | 1 | | CLIP - "J" fuel line |



133-026-190 FR-2000C (1993)
Gear Box (Curtis)

Page 31 of 53

| Ref # | Part Number | Qty | S/P/F | Description |
|-------|-------------|-----|-------|-------------------------------|
| | WD-900-5842 | 1 | S | GEAR BOX |
| 1 | WD-900-7036 | 2 | | HOUSING - half |
| 2 | WD-900-7001 | 2 | S | KEY - 3/16" x 3/16" x 1" |
| 3 | WD-900-7037 | 1 | | SHAFT - input |
| 4 | WD-900-7008 | 1 | S | BEARING - ball |
| 5 | WD-15001 | 1 | | BUSHING - pipe 1/4" x 1/8" |
| 6 | WD-900-7005 | 2 | | RING - retaining |
| 7 | WD-900-7038 | 1 | | GEAR - output shaft |
| 8 | WD-900-7044 | 1 | S | SHAFT - output |
| 9 | WD-900-7041 | 3 | S | BEARING - ball |
| 10 | WD-900-7009 | 6 | | LOCKWASHER |
| 11 | WD-900-7010 | 6 | | CAP SCREW - allen head |
| 12 | WD-900-7053 | 1 | S | FITTING - grease 1/4" NPT |
| 13 | WD-900-7042 | 2 | S | SEAL - shaft |
| 14 | WD-900-7040 | 1 | | GEAR - input shaft |
| 15 | WD-900-7043 | 1 | S | PLUG - expansion |
| 16 | WD-900-5020 | 1 | | ELBOW - street 1/8" x 90° |
| 17 | WD-900-7004 | 1 | S | VALVE - relief |
| | WD-999-2010 | 1 | | GREASE - synthetic, cartridge |

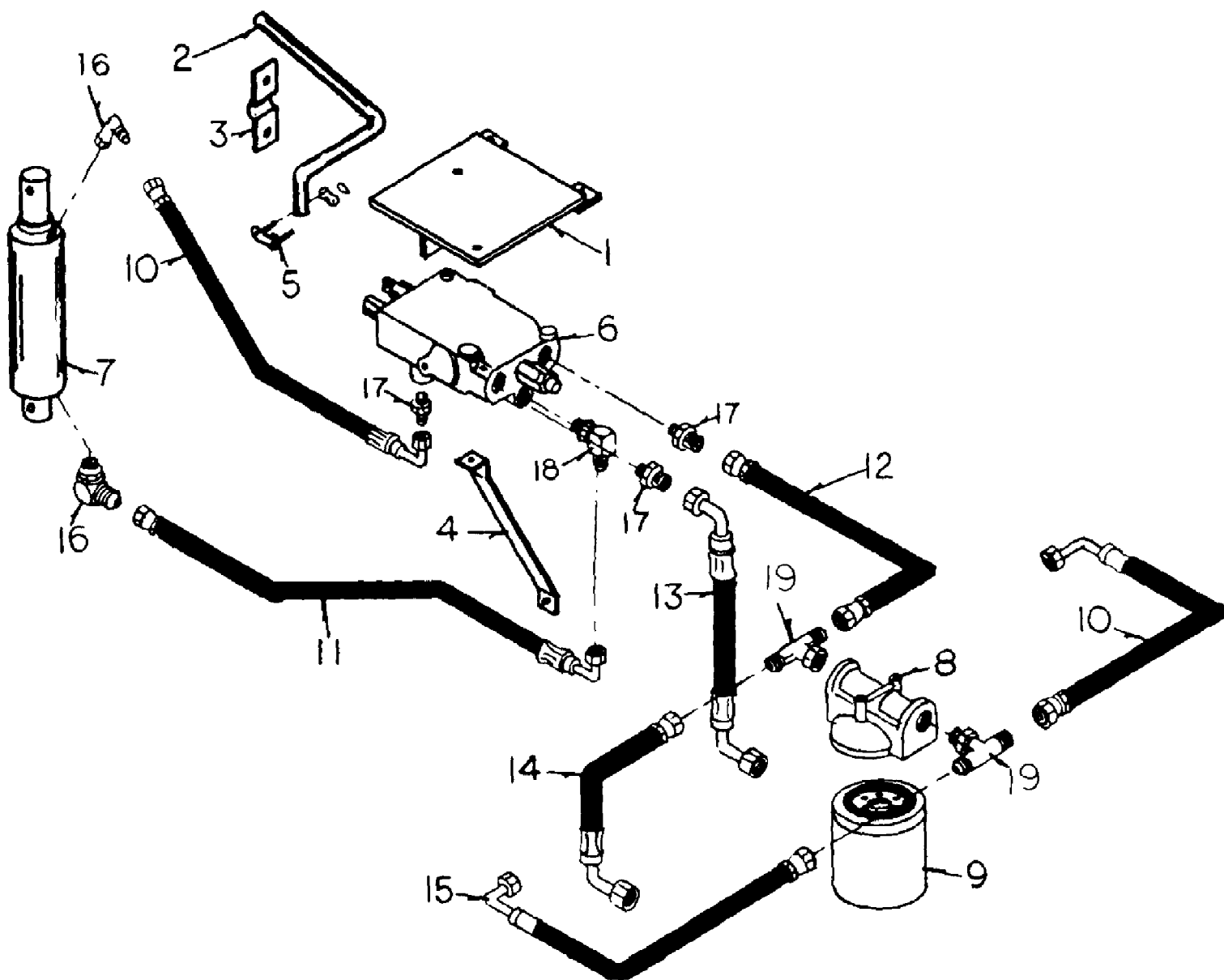


133-026-190 FR-2000C (1993)
Gear Box (Superior)

Page 33 of 53

| Ref # | Part Number | Qty | S/P/F | Description |
|-------|-------------|-----|-------|---|
| 1 | WD-C42924 | 1 | | SHAFT - pinion, with gear |
| 2 | WD-C42923 | 1 | | SHAFT - cross, with gear |
| 3 | WD-C42917 | 1 | | HOUSING - with tapped holes |
| 4 | WD-C42927 | 1 | | HOUSING - with thru holes (Not shown) |
| 5 | WD-C42918 | 4 | | CUP - bearing |
| 6 | WD-C42921 | 4 | | CONE - bearing |
| 7 | WD-C42919 | 1 | | RING - retaining |
| 8 | WD-C42920 | 3 | | PLUG - pipe 1/4" |
| 9 | WD-C42922 | 2 | | SEAL - shaft |
| 10 | WD-300-0021 | 1 | S | KEY - 3/16" x 1" input shaft |
| 11 | WD-C42928 | 1 | | PIPE - vent |
| ?12 | WD-C42926 | 8 | | BOLT - 5/16" x 1" socket head (Not shown) |
| 13 | WD-C42925 | 1 | | CAP - end |
| 14 | WD-C28215 | 1 | | KEY - 3/16" x 5/8" output shaft |

133-026-190 FR-2000C (1993)
Hydraulic Lift Assembly (Dual Acting Lift Cylinder)

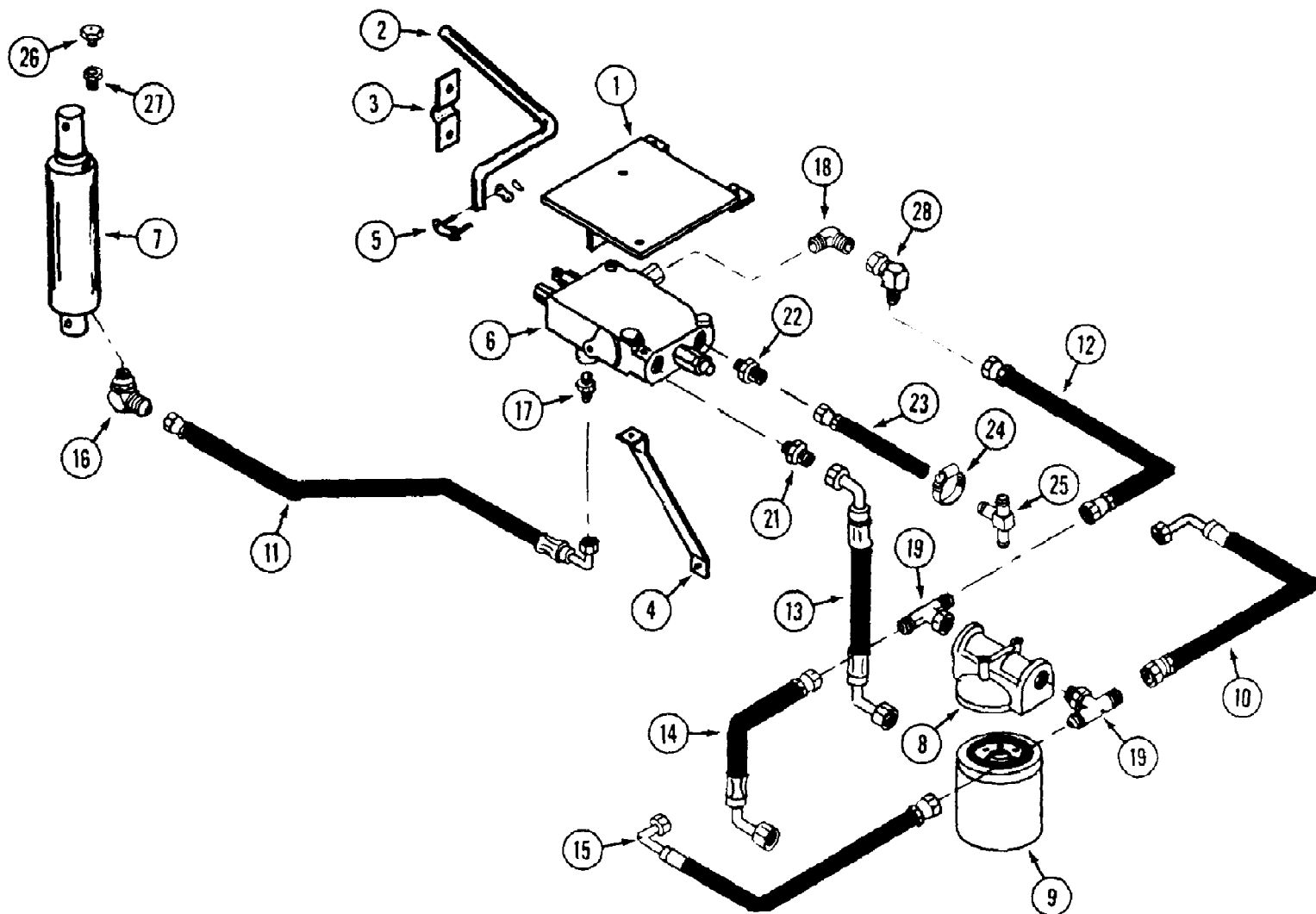


133-026-190 FR-2000C (1993)
Hydraulic Lift Assembly (Dual Acting Lift Cylinder)

Page 35 of 53

| Ref # | Part Number | Qty | S/P/F | Description |
|-------|-------------|-----|-------|---|
| 1 | WD-212-0002 | 1 | | MOUNT - valve |
| 2 | WD-212-0003 | 1 | | VALVE LEVER |
| 3 | WD-111-0004 | 1 | S | BEARING - clutch brake cross rod |
| 4 | WD-212-0005 | 1 | | SUPPORT valve |
| 5 | WD-900-1004 | 1 | | CONNECTING LINK - #50 |
| 6 | WD-900-8000 | 1 | | VALVE |
| 7 | WD-900-8070 | 1 | | LIFT CYLINDER |
| 8 | WD-900-8072 | 1 | S | HOUSING - oil filter |
| 9 | WD-900-8073 | 1 | S | ELEMENT - oil filter |
| 10 | WD-900-8103 | 2 | S | HOSE - 3/8" ID x 26" long |
| 11 | WD-900-8106 | 1 | | HOSE - 3/8" ID x 31" long |
| 12 | WD-900-8101 | 1 | | HOSE - 3/8" ID x 20" long |
| 13 | WD-900-8102 | 1 | | HOSE - 3/8" ID x 13" long |
| 14 | WD-900-8105 | 1 | | HOSE - 3/8" ID x 11.5" long |
| 15 | WD-900-8104 | 1 | | HOSE - 3/8" ID x 21" long |
| 16 | WD-900-8116 | 2 | | FITTING - male o-ring, 90° male tube adp. |
| 17 | WD-900-8094 | 3 | | FITTING - male o-ring, male tube adp. |
| 18 | WD-900-8097 | 1 | | FITTING - male o-ring, 90° male tube adp. |
| 19 | WD-900-8095 | 2 | | FITTING - male tube, male o-ring tee |

133-026-190 FR-2000C (1993)
Hydraulic Lift Assembly (Single Acting Lift Cylinder)

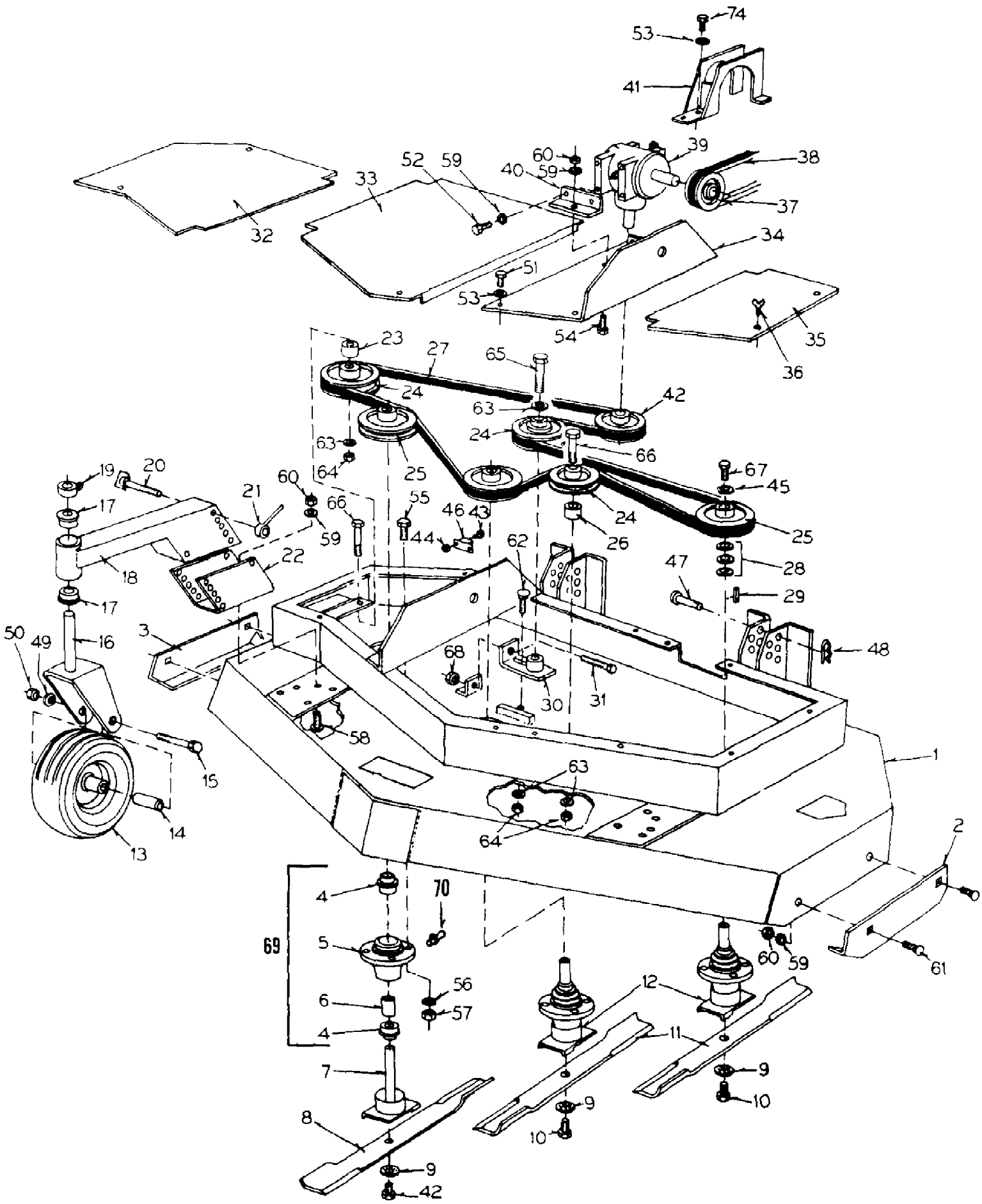


133-026-190 FR-2000C (1993)
Hydraulic Lift Assembly (Single Acting Lift Cylinder)

Page 37 of 53

| Ref # | Part Number | Qty | S/P/F | Description |
|-------|-------------|-----|-------|---------------------------------|
| 1 | WD-212-0002 | 1 | | MOUNT - valve |
| 2 | WD-212-0003 | 1 | | LEVER - actuator |
| 3 | WD-111-0004 | 1 | S | BEARING |
| 4 | WD-212-0005 | 1 | | SUPPORT - valve |
| 5 | WD-900-1004 | 1 | | CONNECTING LINK - #50 |
| 6 | WD-C42937 | 1 | | VALVE - lift |
| 7 | WD-C44030 | 1 | | CYLINDER - lift |
| 8 | WD-900-8072 | 1 | S | HOUSING - oil filter |
| 9 | WD-900-8073 | 1 | S | ELEMENT - oil filter |
| 10 | WD-900-8103 | 2 | S | HOSE - 3/8" ID x 26" long |
| 11 | WD-900-8106 | 1 | | HOSE - 3/8" ID x 31" long |
| 12 | WD-900-8101 | 1 | | HOSE - 3/8" ID x 20" long |
| 13 | WD-900-8102 | 1 | | HOSE - 3/8" ID x 13" long |
| 14 | WD-900-8105 | 1 | | HOSE - 3/8" ID x 11.5" long |
| 15 | WD-900-8104 | 1 | | HOSE - 3/8" ID x 21" long |
| 16 | WD-900-8116 | 2 | | FITTING - 90° male tube adp. |
| 17 | WD-900-8094 | 3 | | FITTING - straight |
| 18 | WD-218-5128 | 1 | | FITTING - tee |
| 19 | WD-900-8095 | 1 | | FITTING - tee |
| ?20 | WD-218-5105 | 1 | | FITTING - straight |
| 21 | WD-218-5058 | 1 | | FITTING - straight |
| 22 | WD-218-5059 | 1 | | FITTING - straight |
| 23 | WD-C44636 | 1 | | HOSE - 1/2" |
| 24 | WD-900-5629 | 3 | | CLAMP - hose |
| 25 | WD-C44193 | 1 | | FITTING - tee |
| 26 | WD-C42935 | 1 | | BREATHER |
| 27 | WD-C42936 | 1 | | FITTING - adaptor (If required) |
| 28 | WD-900-8121 | 1 | | FITTING - 90° |

Mower Deck & Attaching Parts (52" Rear Discharge) For W885 Mower Deck

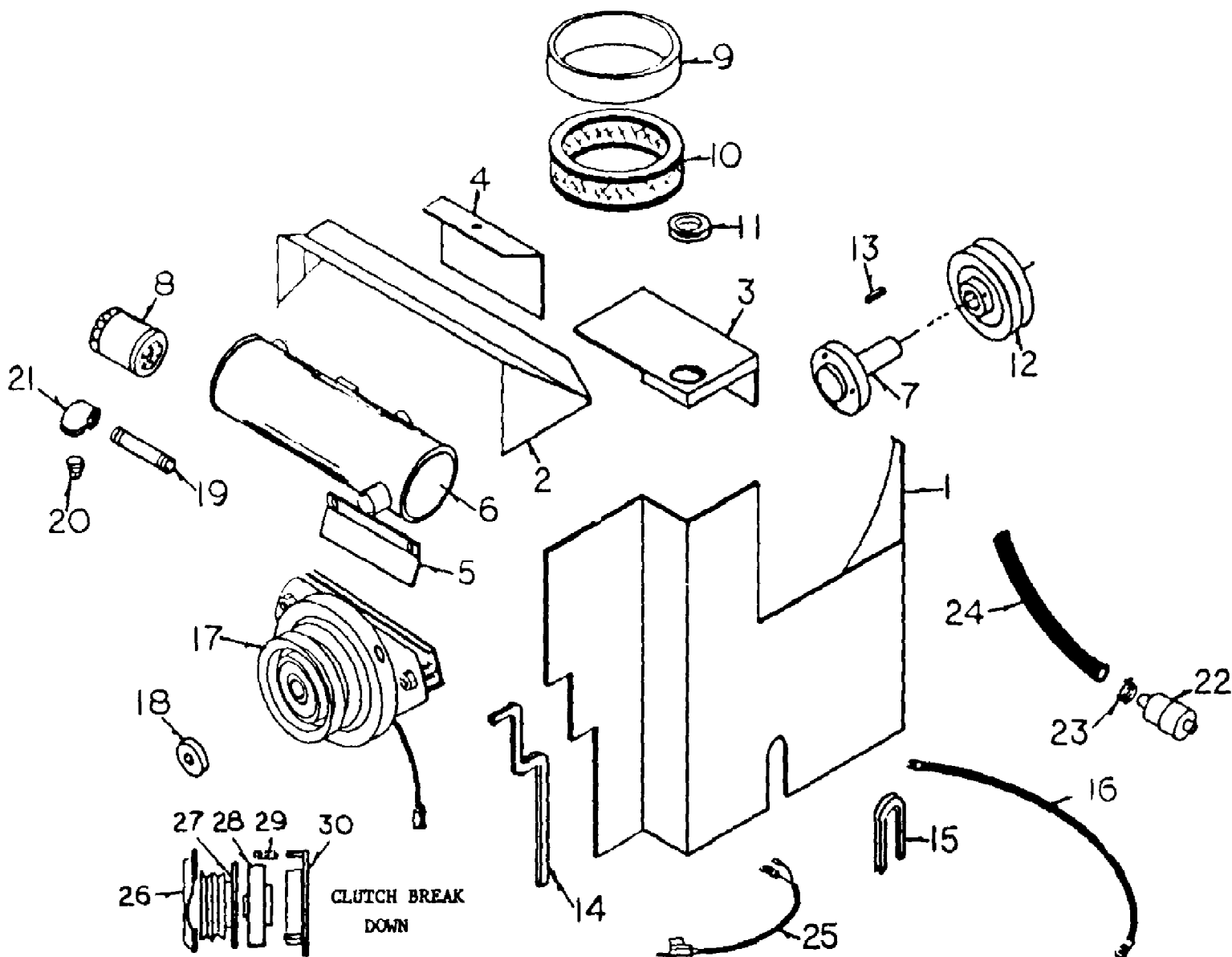


Mower Deck & Attaching Parts (52" Rear Discharge) For W885 Mower Deck

| Ref # | Part Number | Qty | S/P/F | Description |
|-------|-------------|-----|-------|---|
| 1 | WD-C44087 | 1 | | DECK - rear discharge 52" |
| 2 | WD-320-0014 | 1 | | SHOE - skid L.H. |
| 3 | WD-321-0003 | 1 | | SHOE - skid R.H. |
| 4 | WD-900-3506 | 6 | S | BEARING - spindle 7/8 |
| 5 | WD-300-0025 | 3 | S | HOUSING - spindle |
| 6 | WD-300-0027 | 3 | S | SPACER - spindle |
| 7 | WD-321-0004 | 1 | S | SHAFT - spindle L.H. rotation |
| 8 | WD-900-5914 | 1 | S | BLADE - L.H. rotation |
| 9 | WD-900-5534 | 3 | S | WASHER - blade |
| 10 | WD-900-6080 | 2 | S | BOLT - 3/8"-24 x 1-1/4" |
| 11 | WD-900-5814 | 2 | S | BLADE - R.H. rotation |
| 12 | WD-300-0026 | 2 | S | SHAFT - spindle |
| 13 | WD-900-4004 | 2 | | WHEEL - gauge |
| | WD-900-4006 | 1 | | TIRE - 11 x 4.00 - 5 |
| | WD-900-4005 | 1 | | RIM - 5" |
| | WD-900-3505 | 2 | S | BEARING - wheel |
| 14 | WD-200-0017 | 2 | S | AXLE - gauge wheel |
| 15 | WD-900-6133 | 2 | S | BOLT - 1/2"-13 x 6-1/2" |
| 16 | WD-330-0007 | 2 | | FORK - gauge wheel |
| 17 | WD-900-3501 | 4 | S | BEARING - 1" |
| 18 | WD-300-0043 | 2 | | MOUNT - gauge wheel |
| 19 | WD-900-5510 | 2 | | COLLAR - set 1" |
| 20 | WD-900-6096 | 4 | | BOLT - wing 3/8"-16 x 4-1/2" |
| 21 | WD-900-6092 | 4 | | NUT - gauge wheel handle 3/8"-16 |
| 22 | WD-300-0044 | 2 | S | BRACKET - gauge wheel mount |
| 23 | WD-321-0005 | 1 | | SPACER - idler pulley |
| 24 | WD-900-2558 | 3 | S | PULLEY - idler 5" |
| 25 | WD-900-2557 | 3 | | PULLEY - spindle 4-1/2" |
| 26 | WD-300-0016 | 1 | S | SPACER - idler pulley |
| 27 | WD-900-3028 | 1 | S | BELT - deck |
| 28 | WD-900-6002 | 9 | S | WASHER - spacer |
| 29 | WD-300-0021 | 5 | S | KEY - 3/16" x 3/16" x 1" |
| 30 | WD-300-0015 | 1 | | TIGHTENER - belt |
| 31 | WD-900-6034 | 1 | | BOLT - 1/4" - 20 x 4" |
| 32 | WD-321-0002 | 1 | | COVER - R.H. |
| 33 | WD-320-0002 | 1 | | COVER - center |
| 34 | WD-321-0001 | 1 | | MOUNT - gear box |
| 35 | WD-320-0001 | 1 | | COVER - L.H. |
| 36 | | 6 | | SCREW - thumb 1/4" - 20 x 1/2" (NSS. use 113-3 and 192-19) |
| 37 | WD-900-2525 | 1 | S | PULLEY - gear box input |
| 38 | WD-900-3004 | 1 | S | BELT - drive (1800, 2000) |
| 38 | WD-C44241 | 1 | S | BELT - drive (1800C) |
| 39 | WD-900-5842 | 1 | S | GEAR BOX - angle drive (See page 77 for service) (Curtis model) |
| 39 | WD-C42775 | 1 | S | GEAR BOX - angle drive (See page 77 for service) (Superior model) |
| 40 | WD-310-0006 | 1 | | ANGLE - gear box mount |
| 41 | WD-311-0002 | 1 | | GUARD - belt |
| 42 | WD-900-6106 | 1 | | BOLT - 3/8"-24 x 1-1/4" L.H. |
| 43 | WD-C37597 | 2 | | SCREW - #10-32 x 1/2" |

Mower Deck & Attaching Parts (52" Rear Discharge) For W885 Mower Deck

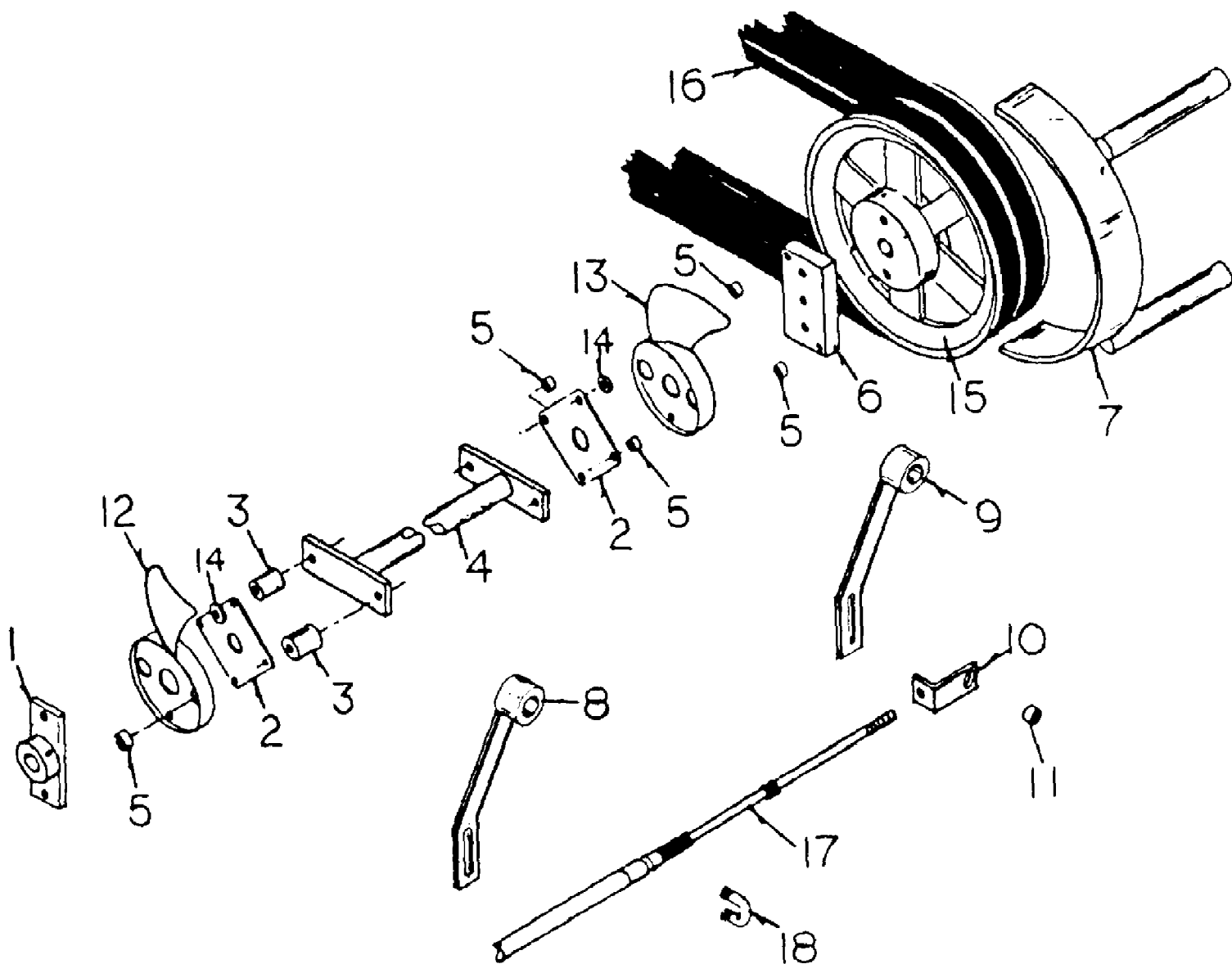
| Ref # | Part Number | Qty | S/P/F | Description |
|-------|-------------|-----|-------|---|
| 44 | WD-900-6150 | 2 | | NUT - lock #10-32 |
| 45 | WD-300-0017 | 3 | S | WASHER - spindle |
| 46 | WD-900-2044 | 1 | S | BREAKER - circuit 10 amp |
| 47 | WD-900-5519 | 2 | | PIN - clevis 1/2" x 1-1/2" |
| 48 | WD-900-5520 | 2 | | PIN - cotter, hair |
| 49 | WD-900-6127 | 2 | S | LOCKWASHER - 1/2" |
| 50 | WD-C37593 | 2 | S | NUT - 1/2"-13 |
| 51 | WD-C38084 | 5 | | BOLT - 1/4"-20 x 3/4" |
| 52 | WD-C38085 | 4 | | BOLT - 5/16"-18 x 1" |
| 53 | WD-C37757 | 7 | | LOCKWASHER - 1/4" |
| 54 | WD-C38086 | 1 | | BOLT - 5/16"-18 x 3/4" |
| 55 | WD-C38087 | 1 | | BOLT - 7/16"-14 x 1-1/4" |
| 56 | WD-C38088 | 12 | | LOCKWASHER - 1/16" |
| 57 | WD-C38089 | 12 | /P | NUT - 7/16"-14 |
| 58 | WD-C38090 | 6 | | BOLT - carriage 5/16"-18 x 1" |
| 59 | WD-C37748 | 10 | | LOCKWASHER - 5/16" |
| 60 | WD-C37560 | 10 | | NUT - 5/16" |
| 61 | WD-C38091 | 4 | | BOLT - carriage 5/16"-18 x 3/4" |
| 62 | WD-C38092 | 1 | S | BOLT - carriage 3/8"-16 x 1" |
| 63 | WD-C37591 | 4 | | LOCKWASHER - 3/8" |
| 64 | WD-C37592 | 3 | S | NUT - 3/8"-16 |
| 65 | WD-C38093 | 1 | | BOLT - 3/8"-16 x 1-1/4" |
| 66 | WD-C38094 | 2 | | BOLT - 3/8"-16 x 2-1/2" |
| 67 | WD-C37899 | 3 | | BOLT - 5/16"-24 x 3/4" |
| 68 | WD-C37734 | 1 | S | NUT - lock 1/4"-20 |
| 69 | WD-600-0000 | 3 | S | HOUSING ASSEMBLY - spindle (Includes ref. 4, 5 and 6) |
| 70 | WD-219-20 | 3 | | FITTING - grease 1/4"-28 |
| 74 | | 1 | | UNKNOWN |



133-026-190 FR-2000C (1993)
Onan Engine

Page 42 of 53

| Ref # | Part Number | Qty | S/P/F | Description |
|-------|-------------|-----|-------|----------------------------------|
| 1 | WD-112-0018 | 1 | | HEAT SHIELD Part A |
| 2 | WD-112-0019 | 1 | | HEAT SHIELD Part B |
| 3 | WD-112-0020 | 1 | | HEAT SHIELD Part C |
| 4 | WD-112-0021 | 1 | | HEAT SHIELD Part D |
| 5 | WD-112-0017 | 1 | | CLUTCH STOP |
| 6 | WD-900-5023 | 1 | | MUFFLER - (Onan) |
| 7 | WD-900-5024 | 1 | | ENGINE SHAFT - (Onan) |
| 8 | WD-C26191 | 1 | S | OIL FILTER - (Onan) |
| 9 | WD-C22581 | 1 | S | PRE-CLEANER - (Onan) |
| 10 | WD-C22424 | 1 | S | FILTER CARTRIDGE - (Onan) |
| 11 | WD-900-5728 | 1 | | GROMMET |
| 12 | WD-900-2502 | 1 | | PULLEY |
| 13 | WD-100-0014 | 1 | S | KEY STOCK - 1/4" x 1" |
| 14 | WD-900-5742 | 1 | | TRIM - 10" |
| 15 | WD-900-5742 | 1 | | TRIM - 7" |
| 16 | WD-900-2011 | 1 | | STARTER WIRE |
| 17 | WD-900-5716 | 1 | S | ELECTRIC CLUTCH (Complete) |
| 18 | WD-900-5575 | 1 | | WASHER - clutch retainer |
| 19 | WD-900-5721 | 1 | | PIPE NIPPLE - 3/8" |
| 20 | WD-900-8024 | 1 | | PIPE PLUG - 3/8" |
| 21 | WD-900-5720 | 1 | | PIPE ELBOW - 3/8" |
| 22 | WD-900-5514 | 2 | S | FUEL FILTER |
| 23 | WD-900-5525 | 4 | S | FUEL LINE CLAMP |
| 24 | WD-C28937 | 1 | | FUEL LINE - 38" |
| 25 | WD-900-2071 | 1 | | STARTER HARNESS |
| 26 | WD-900-5582 | 1 | | CLUTCH SHAKE |
| 27 | WD-900-5747 | 1 | | CLUTCH ARMATURE |
| 28 | WD-900-5772 | 1 | | CLUTCH ROTOR |
| 29 | WD-900-5586 | 1 | | SPRING - clutch brake (Set of 3) |
| 30 | WD-900-5773 | 1 | | CLUTCH COIL |

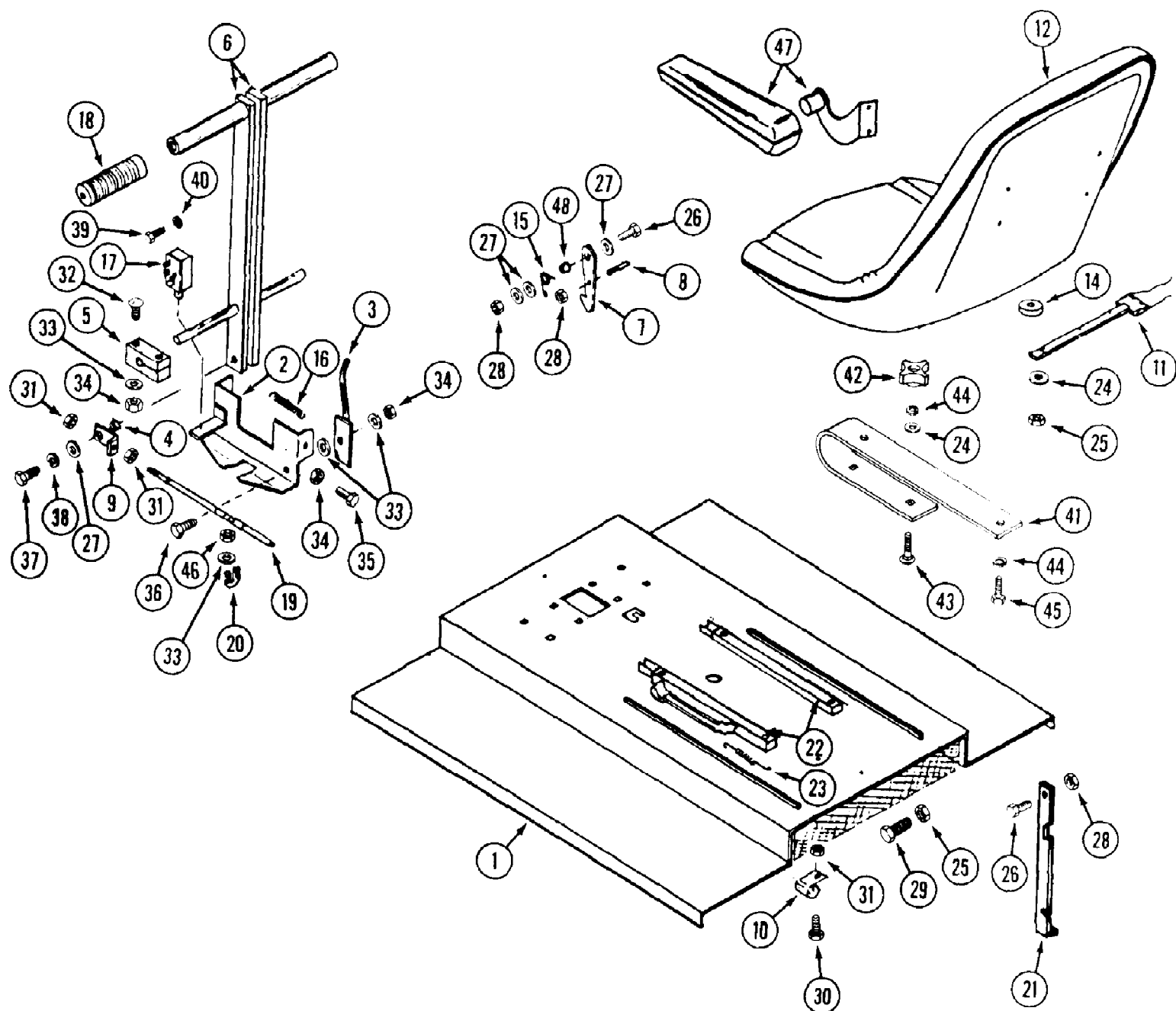


133-026-190 FR-2000C (1993)
Pump Drive

Page 44 of 53

| Ref # | Part Number | Qty | S/P/F | Description |
|-------|-------------|-----|-------|-----------------------------|
| 1 | WD-112-0012 | 1 | | HUB - w/drive plate |
| 2 | WD-111-0021 | 2 | S | DRIVE PLATE |
| 3 | WD-111-0022 | 2 | | SPACER |
| 4 | WD-112-0009 | 1 | | CROSS SHAFT |
| 5 | WD-111-0025 | 6 | | BOLT SPACER |
| 6 | WD-112-0007 | 1 | | CROSS BAR BLOCK |
| 7 | WD-112-0006 | 1 | | TRANSMISSION BELT RETAINER |
| 8 | WD-112-0004 | 1 | | TRANSMISSION ARM - L.H. |
| 9 | WD-112-0003 | 1 | | TRANSMISSION ARM - R.H. |
| 10 | WD-140-0023 | 4 | | STEERING CABLE ENDS |
| 11 | WD-200-0014 | 4 | S | STEERING CABLE ENDS BUSHING |
| 12 | WD-900-4527 | 1 | S | CCW FAN - L.H. |
| 13 | WD-900-4526 | 1 | S | CW FAN - R.H. |
| 14 | WD-900-6161 | 4 | | WASHER - 5/16" |
| 15 | WD-900-2542 | 1 | | PULLEY |
| 16 | WD-900-3022 | 2 | | BELTS |
| 17 | WD-900-5717 | 2 | | STEERING CABLE |
| 18 | WD-900-5625 | 2 | | CLAMP |

133-026-190 FR-2000C (1993)
Seat Lid and Steering



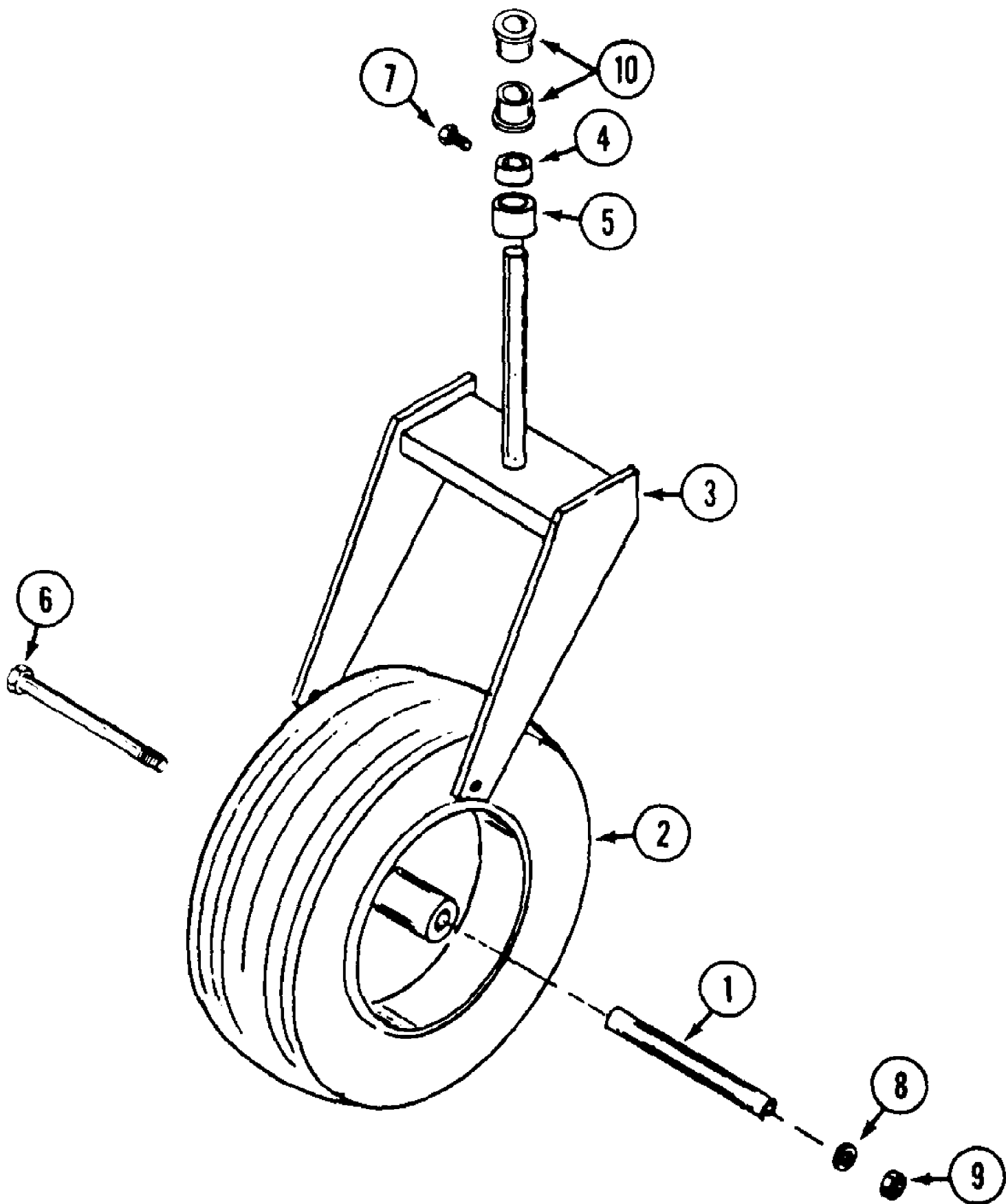
| Ref # | Part Number | Qty | S/P/F | Description |
|-------|-------------|-----|-------|--|
| 1 | WD-201-0004 | 1 | | LID - seat (1800, 2000C) |
| 1 | WD-C44237 | 1 | | LID - seat (1800C) |
| 2 | WD-201-0010 | 1 | | BRACKET - lever lock |
| 3 | WD-200-0012 | 1 | | LATCH - lever lock |
| 4 | WD-C42895 | 2 | /P | BUSHING (Also order C42896) |
| 5 | WD-200-0010 | 4 | | BEARING - block |
| 6 | WD-200-0009 | 2 | | LEVER - steering (1800, 2000C) |
| 6 | WD-C43406 | 2 | | LEVER - steering (1800C) |
| 7 | WD-C44481 | 1 | | LATCH - seat lid |
| 8 | | 1 | | BOLT - latch, seat lid (NSS. is included with C44481) |
| 9 | WD-140-0023 | 4 | | BRACKET - steering cable end (2000C) |
| 9 | WD-C42896 | 4 | | BRACKET - steering cable end (Also order C42895) |
| 10 | WD-C32455 | 1 | | RETAINER - harness, seat lid |
| 11 | WD-900-2001 | 1 | | SWITCH - seat |
| 12 | WD-900-5597 | 1 | | SEAT (1800, 2000C) |
| 12 | WD-C43202 | 1 | | SEAT (1800C) |
| 14 | WD-900-5523 | 4 | | SPACER - seat |
| 15 | WD-900-5700 | 1 | | SPRING - latch, seat lid |
| 16 | WD-900-5501 | 1 | | SPRING - bracket, lever lock |
| 17 | WD-900-2029 | 1 | S | SWITCH - safety |
| 18 | WD-900-5500 | 2 | S | GRIP - handle |
| 19 | | 2 | | CABLE - steering NSS (1800C, 1800 S/N 41-027-012814 and after) (See "Steering Cable Kit" illustration and parts list.) |
| 19 | WD-900-5502 | 2 | S | CABLE - steering (1800 before S/N 41-027-012814) |
| 19 | WD-900-5717 | 2 | | CABLE - steering (2000C) |
| 20 | WD-900-5503 | VAR | S | CLAMP - steering cable (1800, 1800C) |
| 20 | WD-900-5625 | 4 | | CLAMP - steering cable (2000C) |
| 21 | WD-200-0008 | 1 | | PROP - seat lid |
| 22 | WD-900-5813 | 1 | | KIT - seat slide rail (pair) (1800, 2000C) |
| 23 | WD-900-5767 | 1 | | SPRING - seat |
| 24 | WD-900-6152 | 4 | | WASHER - 5/16" |
| 25 | WD-131-69 | 4 | | NUT - 5/16" |
| 26 | WD-113-4 | 2 | | BOLT - 1/4"-20 x 1" |
| 27 | WD-195-102 | 5 | | WASHER - 1/4" |
| 28 | WD-131-71 | 3 | | NUT - 1/4"-20 lock |
| 29 | WD-113-103 | 2 | | BOLT - 5/16"-18 x 1" |
| 30 | WD-182-528 | 1 | | SCREW - #10-32 x 1/2" |
| 31 | WD-900-6150 | 5 | | NUT - #10-32 |
| 32 | WD-111-114 | 8 | | BOLT - 1/4"-20 x 1-1/2" carriage |
| 33 | WD-195-102 | 10 | | WASHER - 1/4" |
| 34 | WD-131-71 | 11 | | NUT - 1/4"-20 lock |
| 35 | WD-113-3 | 2 | | BOLT - 1/4"-20 x 3/4" |
| 36 | WD-C42359 | 1 | | BOLT 1/4"-20 x 2" |
| 37 | WD-113-3 | 2 | | BOLT - 1/4"-20 x 3/4" |
| 38 | WD-192-19 | 2 | | LOCKWASHER - 1/4" |
| 39 | WD-182-525 | 1 | | SCREW - #10-32 x 3/8" |
| 40 | WD-192-18 | | | WASHER - 3/16" |

133-026-190 FR-2000C (1993)
Seat Lid and Steering

Page 47 of 53

| Ref # | Part Number | Qty | S/P/F | Description |
|-------|-------------|-----|-------|---|
| 41 | WD-C43137 | 2 | | SPRING - seat (1800C) |
| 42 | WD-C43438 | 4 | | KNOB - seat |
| 43 | WD-111-204 | 4 | | BOLT - carriage 5/16"-18 x 1-1/4" |
| 44 | WD-900-6151 | 8 | | LOCKWASHER - 5/16" |
| 45 | WD-113-103 | 4 | | BOLT - 5/16"-18 x 1" |
| 46 | WD-131-1102 | 8 | | NUT - 1/4"-20 |
| 47 | | 1 | | KIT - arm rest (Optional) (NSS order as machinery item) |
| | WD-C22947 | 1 | | TIE - nylon |
| 48 | | 1 | | UNKNOWN |

133-026-190 FR-2000C (1993)
Single Tail Wheel

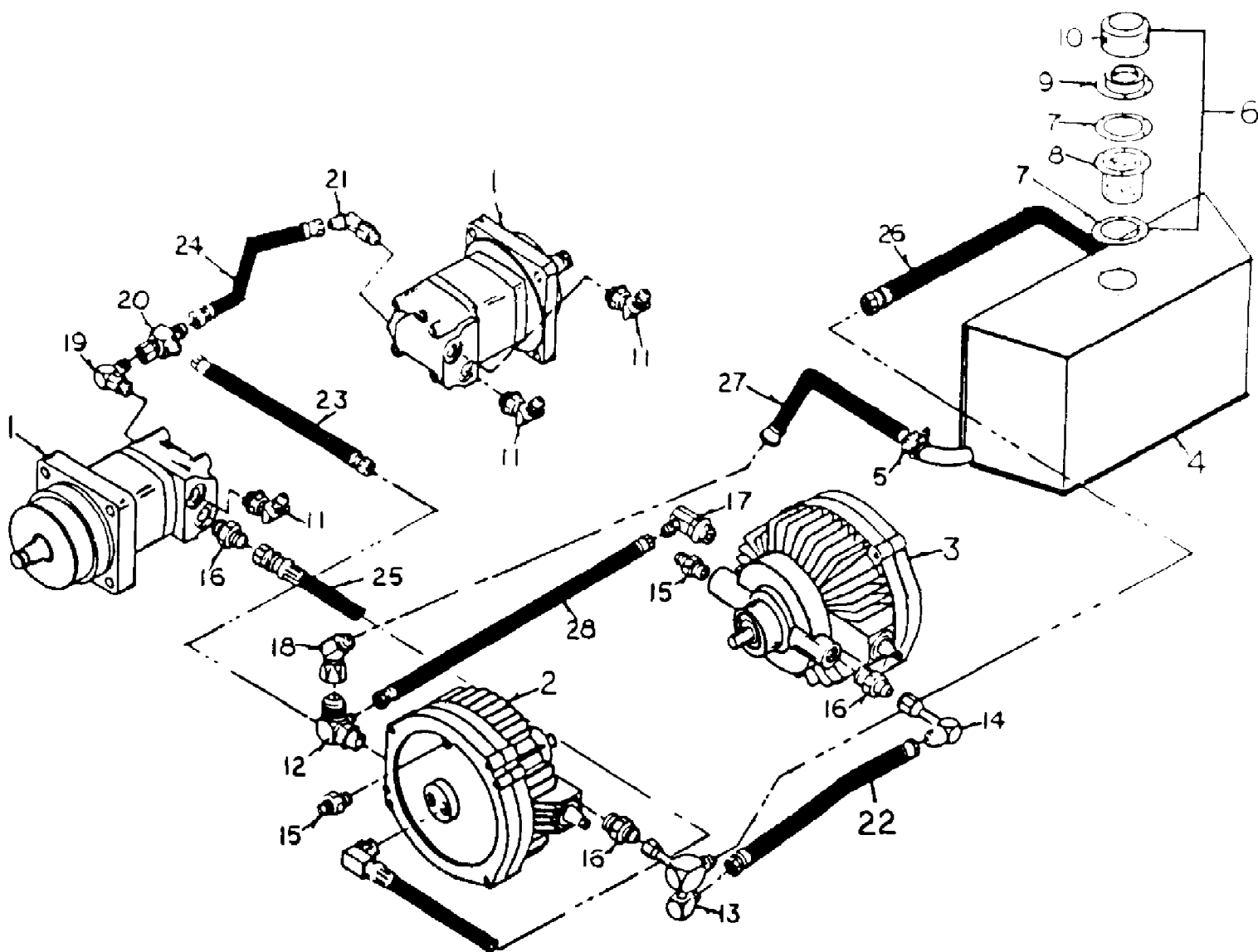


133-026-190 FR-2000C (1993)
Single Tail Wheel

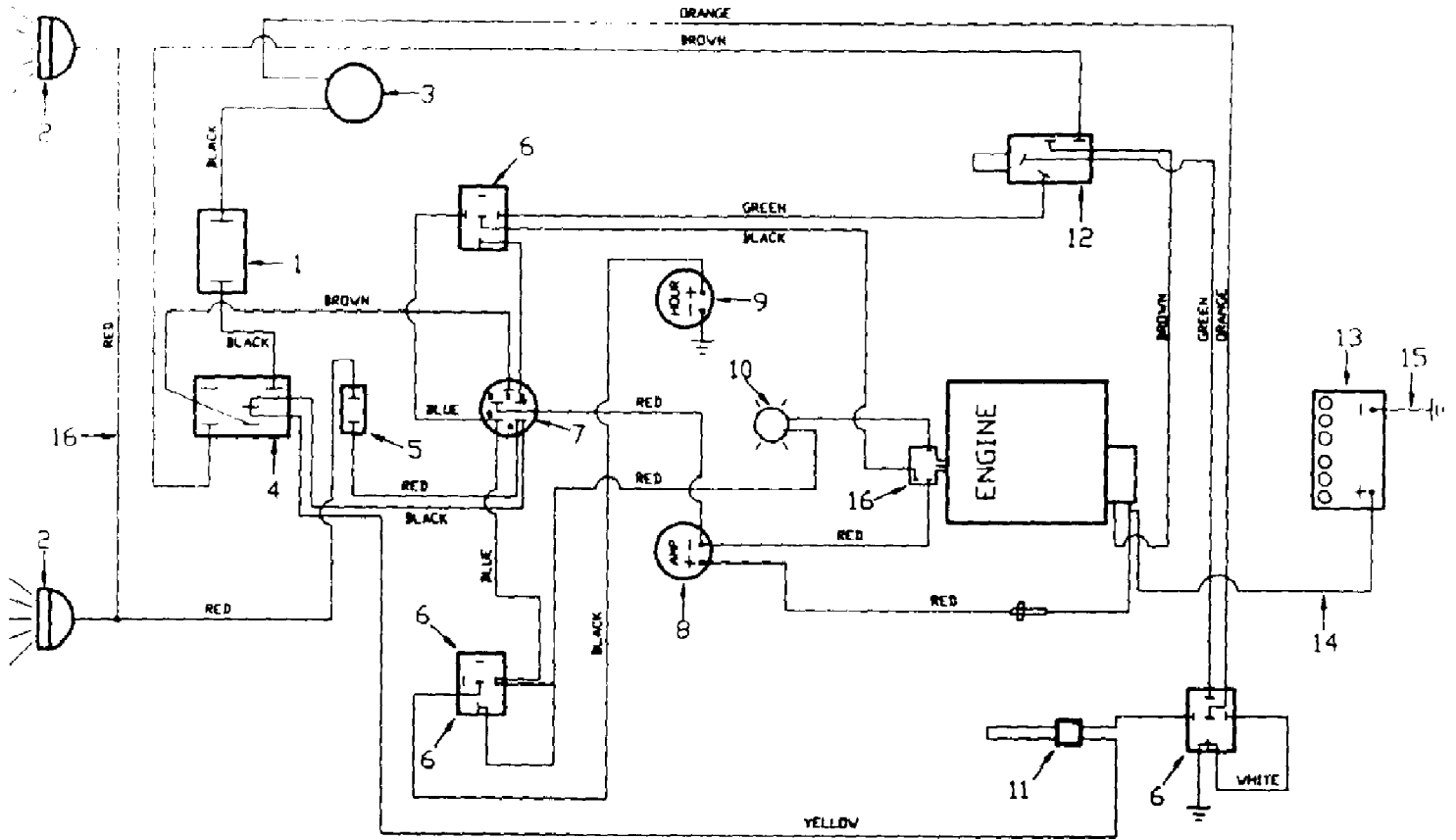
Page 49 of 53

| Ref # | Part Number | Qty | S/P/F | Description |
|-------|-------------|-----|-------|--|
| 1 | WD-230-0017 | 1 | | AXLE - wheel |
| 2 | WD-900-4017 | 1 | S | WHEEL ASSEMBLY - tail |
| | WD-900-3515 | 2 | S | BEARING - wheel |
| | WD-900-4018 | 8 | | TIRE - 15 x 6.50 - 8 |
| | WD-900-4019 | 1 | S | RIM - 8" |
| 3 | WD-230-0001 | 1 | S | FORK - tail wheel |
| 4 | WD-900-5510 | 1 | | COLLAR - set 1" |
| 5 | WD-213-0003 | 1 | | SPACER - tail wheel fork |
| 6 | WD-113-452 | 1 | | BOLT - 1/2"-13 x 9-1/2" |
| 7 | WD-C37756 | 1 | | SCREW - set 5/16"-18 x 1/2" square head |
| 8 | WD-192-23 | 1 | | LOCKWASHER - 1/2" |
| 9 | WD-129-105 | 1 | S | NUT - 1/2"-13 |
| 10 | WD-900-3501 | 2 | S | BEARING - ball 1" |
| | WD-219-92 | 1 | | FITTING - grease 90° 1/4"-28 self tap (caster pivot) |

133-026-190 FR-2000C (1993)
Wheel Motor & Pump Assembly



| Ref # | Part Number | Qty | S/P/F | Description |
|-------|-------------|-----|-------|--|
| 1 | WD-900-8065 | 2 | | WHEEL MOTOR |
| 2 | WD-900-8064 | 1 | | PUMP - L.H. |
| 3 | WD-900-8063 | 1 | | PUMP - R.H. |
| 4 | WD-900-8060 | 1 | | HYDRAULIC OIL TANK |
| 5 | WD-900-5629 | 2 | | HOSE CLAMP |
| 6 | WD-900-8046 | 1 | | HYDRAULIC FILL CAP ASSEMBLY |
| 7 | WD-900-8043 | 1 | | GASKET |
| 8 | WD-900-8042 | 1 | | STRAINER |
| 9 | WD-900-8044 | 1 | | FILL NECK |
| 10 | WD-900-8045 | 1 | | BREATHER CAP |
| 11 | WD-900-8016 | 3 | | MALE TUBE - 45° male o-ring adapter |
| 12 | WD-900-8092 | 1 | | FITTING - special cross |
| 13 | WD-900-8091 | 1 | | SPECIAL ADAPTER |
| 14 | WD-900-8004 | 1 | | FITTING - male tube, 90° female swivel adapter |
| 15 | WD-900-8094 | 4 | | FITTING - male tube, male o-ring adapter |
| 16 | WD-900-8097 | 3 | | FITTING - male tube, male o-ring adapter |
| 17 | WD-900-8075 | 1 | | FITTING - male tube, 90° male o-ring adapter |
| 18 | WD-900-8093 | 1 | | FITTING - male tube, 45° female swivel adapter |
| 19 | WD-900-8015 | 1 | | FITTING - male tube, 90° male o-ring adapter |
| 20 | WD-900-8096 | 1 | | FITTING - male tube, female swivel tee |
| 21 | WD-900-8114 | 1 | | FITTING - male tube, 45° female swivel adapter |
| 22 | WD-900-8109 | 1 | | HOSE - 1/2" ID x 18" long, easy couple |
| 23 | WD-900-8107 | 1 | | HOSE - 1/4" ID x 14" long, easy couple |
| 24 | WD-900-8108 | 1 | | HOSE - 1/4" ID x 20" long, easy couple |
| 25 | WD-900-8100 | 4 | | HOSE - 1/2" ID x 36 1/2" long |
| 26 | WD-900-8112 | 1 | | HOSE - 3/4" ID x 22" long, easy couple |
| 27 | WD-900-8111 | 1 | | HOSE - 3/4" ID x 18" long, easy couple |
| 28 | WD-900-8110 | 1 | | HOSE - 1/2" ID x 20" long, easy couple |



| Ref # | Part Number | Qty | S/P/F | Description |
|-------|-------------|-----|-------|--------------------------|
| 1 | WD-900-2044 | 1 | S | CIRCUIT BREAKER - 10 amp |
| 2 | WD-900-2014 | 2 | | HEADLIGHT |
| | WD-900-2024 | 1 | S | LENS |
| | WD-900-2025 | 1 | S | BULB |
| | WD-900-2026 | 1 | | LAMP |
| | WD-900-2068 | 1 | | GASKET - headlight |
| 3 | WD-900-5716 | 1 | S | ELECTRIC CLUTCH |
| 4 | WD-900-2028 | 1 | S | SWITCH - PTO |
| 5 | WD-900-2027 | 1 | S | SWITCH - light |
| 6 | WD-900-2037 | 3 | S | RELAY |
| 7 | WD-900-2065 | 1 | | IGNITION SWITCH (Onan) |
| 8 | WD-900-2002 | 1 | | AMP GAUGE |
| 9 | WD-900-2023 | 1 | S | HOUR METER |
| 10 | WD-900-2041 | 1 | | OIL LIGHT |
| 11 | WD-900-2001 | 1 | | SEAT SWITCH |
| 12 | WD-900-2029 | 1 | S | SAFETY SWITCH |
| 13 | WD-900-2060 | 1 | | BATTERY |
| 14 | WD-900-2011 | 2 | | STARTER WIRE |
| 15 | WD-900-2009 | 1 | | GROUND WIRE |
| | WD-900-2066 | 1 | | WIRING HARNESS (Onan) |
| 16 | | 1 | | UNKNOWN |